

**Fortis<sup>®</sup>**

**PRODUCT  
CATALOG**

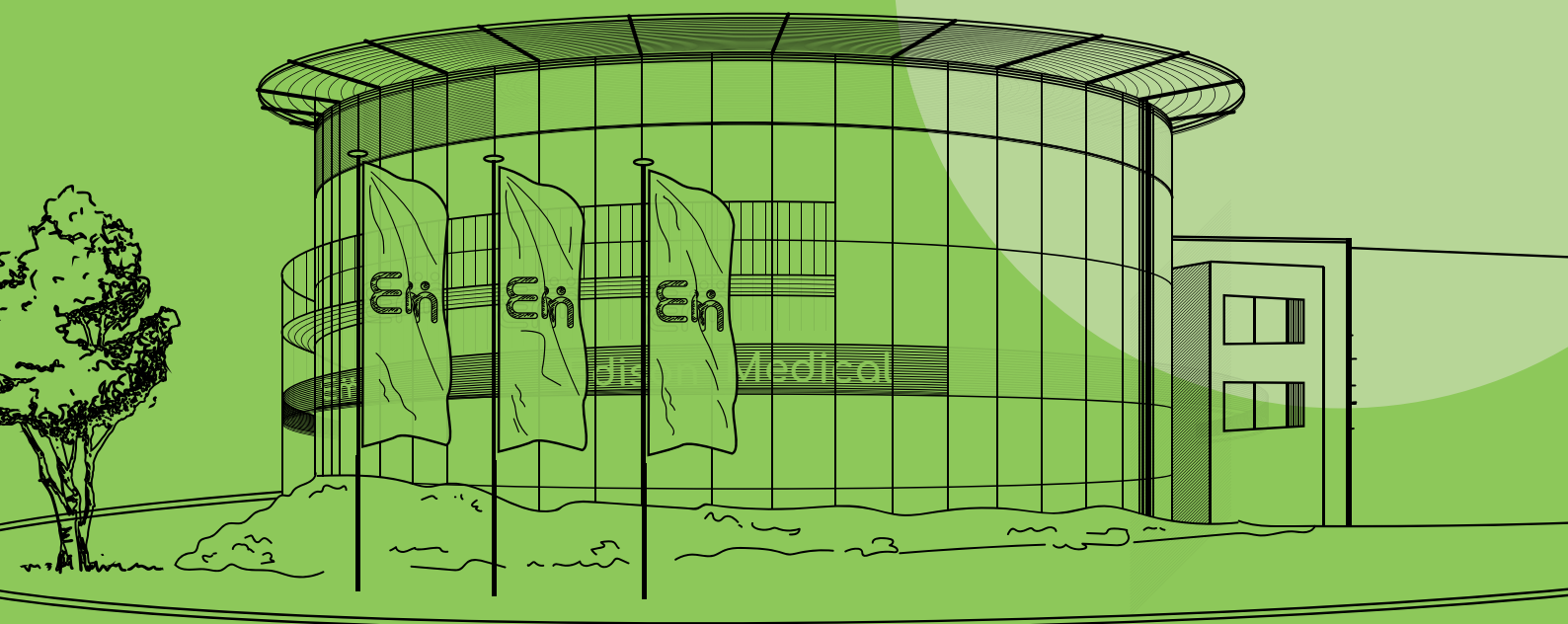
**| 2020**

**Em**  
By Ritter Implants



# Edison Medical.

By Ritter Implants



# Table of Content.



## | **Fortis® RP Conical Connection.**

**9 - 15**

Implant's Characteristics .....	9
Implant's Surface .....	10
Packaging & Labeling .....	11
Implant Dimensions .....	13
Recommended Tightening Torque .....	14
Drilling Protocol .....	15



## | **Impression & Lab Components.**

**16 - 19**

Lab Analogs .....	17
Impression Copings .....	18
Castable & UCLA Abutments .....	19



## | **Dental Abutments.**

**20 - 27**

Healing Abutments .....	22
Temporary Abutments .....	23
Titanium Abutments .....	24
Zirconia Abutments .....	26



## | **Clicq™ Pression Transfer Abutments.**

**28 - 33**

Professional & Starter Kit .....	30
Straight Abutments .....	31
Angled Abutments .....	32
Components .....	33



## | **Pop-Clicq™ Overdenture Attachments.**

**34 - 41**

Professional Kit .....	36
Mini Kits .....	37
Components .....	38
Pop-Clicq™ - Bar .....	39
Bar Components .....	40





## **| Multi-Clicq™ On-X.**

**42 - 51**

Professional & Starter Kit .....	44
Mini Kits .....	45
Single Unit .....	46
Components .....	47
Clicq™ - Multi Bar .....	49
Bar Components .....	50



## **| Digital Dentistry.**

**52 - 77**

Scan Abutments & Pre-Milled Blank .....	53
---	----

### **Uni-Base™ - One Piece Ti-Base 54 - 59**

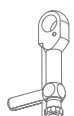
Characteristics .....	55
Professional Kit .....	56
Straight Titanium Bases .....	57
Angled Titanium Bases .....	58
Uni-Base™ Shape - Angled Titanium Bases .....	59

### **Clicq-Base™ - 2 Piece Ti-Base 60 - 73**

Introduction .....	61
Connection .....	62
Step by Step - Anterior .....	63
Step by Step - Posterior .....	65
Professional Kit .....	67
Lab Kit .....	68
Straight Titanium Bases .....	69
Angled Titanium Bases .....	70
Components .....	71

### **Clicq-Multi Base™ - On-X 74 - 79**

Step by Step .....	76
Clicq Multi Base™ Bar Adapter .....	79



## **| Surgical Instruments.**

**80 - 86**

Gauge Indicators .....	81
Surgical Tool Box .....	82
Drills / Burs / Stoppers .....	83
Implant Drivers .....	84
Screwdrivers .....	85
Ratchet / Ratchet Adapter / Parallel Pin .....	86



LET'S MAKE  
**SOMEONE SMILE.**



# Our Story.

Our company was founded on the premise that the dental implant market could be simplified - In the early professional years of the founder, he discovered that the overwhelming amount of implant options was a source of confusion and complication for many professionals. Realizing that there was no single source to turn to that satisfied all the brand and implant system options, the founder was driven to fill that void with an entirely new concept. Rather than create a marketplace for all brands where so many of the same inherent problems that come with too many options would continue to exist, a new vision was carried out. Edison Medical was created to serve as an in-house production of a range of products that are exclusively distributed by the online platform dibay. Together the two companies are simplifying the implant market for professionals by creating the highest quality products with compatibility across multiple platforms, and costing significantly less than the competition.

## **Quality**

Quality is a cornerstone of the Edison Medical philosophy, and a great deal of resources are invested ensuring that it is maintained to the highest standard. Our German-based production sources the finest quality raw materials, employs meticulous methods of quality control and product testing, and collaborates regularly with our R&D team to push the creative process and continue to release new and innovative designs. All of our products are FDA-cleared and regulated by a number of governing bodies.

## **Vision**

Goals and visions are what perpetually drive a company forward and help keep focus. We at Edison Medical aim to be the worldwide leader in online dental implant solutions. We are devoted to building and maintaining active relationships with our clients to improve and simplify their practices and workflows.

# Check Out Our **Fresh New Look.**

We decided it was time for Edison to get a well-deserved makeover.

(Deserved for you and for us!)

Our new catalog is designed to be intuitive,  
easy to navigate and user friendly.

**Have a look around,  
& welcome to the new Edison.**



# Implant Characteristics



## Platform Switching

Prevent crestal bone loss, which is fundamental for long-term success and stability. It increases the volume of soft tissue around the implant platform, helping to improve the aesthetic final result. As well reduces the amount of stress transferred from the abutment to the bone.



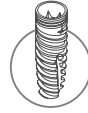
## Initial Stability

Progressive threads with compression properties and drilling blades on the apex enable to adjust the implant position during placement.



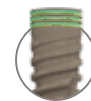
## Cutting Edges

There are two helix cutting blades that extend to the middle of the implant. This self tapping behavior of the implant allows a smooth penetration with minimal bone destruction. The rounded implant apex reduces the risk of bone / sinus / nerve perforation



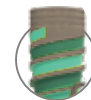
## Simplicity!

One implant design various connections



## Micro Rings

Tapered coronal design and micro rings designed to reduce bone stress and minimize bone resorption to tissue volume.



## Dual Threads

Tapered implant body & core with dual threads and optimal pitch of 1.0mm for faster implant insertion with better stability.



## Safe Insertion

Curved passive apex allows safe implant insertion without the risk of damage to the surrounding.





## Implant Surface

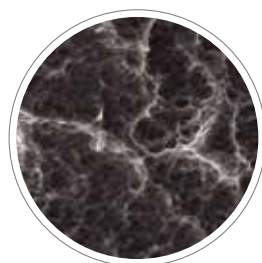
### Implant Surface

The relationship of an implant's surface to the osteotomy site is a crucial determining factor in the implant's mechanical stability. Surface roughness affects osseointegration potential, and can be achieved by either chemical (acid etching) or mechanical (particle blasting) treatment. Proper roughness will in turn provide a microsurface that minimizes osseointegration time and maximizing likelihood of implant success. The microsurface of an implant can also be modified at the nano level to create a hydrophilic and osteoconductive surface, promoting better osseointegration by way of active ion interaction with blood plasma. Macrogeometry of the implant's surface also plays a fundamental role in implant success, with thread pattern and thread pitch affecting the quantity of bone around the implant and the degree of bone apposition onto the implant threads.

Regarding material composition of implants, there has been a range of metallic materials historically used in medical and dental applications. However, titanium's suitability for a variety of surface treatments, along with its light-weight, high strength, corrosion-resistant and highly biocompatible properties make it the ideal metallic element that is most widely used for dental implant production.

Edison Medical uses a unique process of large-grit sandblasting to prepare primary surface roughness, followed by acid-etching (SLA) to clear residual sandblast particles and generate a secondary roughness. The resulting micro- and nano-surface structures are optimal for bone adhesion and maximized success rate of each implant.

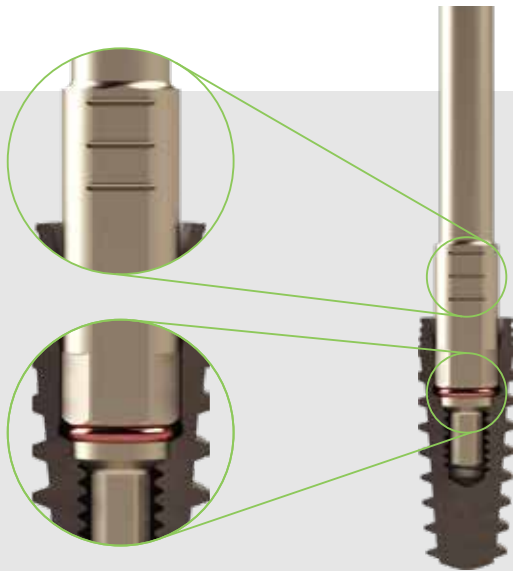
### Implant Micro Surface



TI 6AL 4V-ELI Titanium Alloy for Implants  
Made in Germany

## Packaging & Labeling

Implants sit inside of a titanium sleeve that is located in a plastic tube. Implants are mountless in their packaging, facilitating easy pick-up with any driver. The durable plastic outer packaging serves as protective housing.



Recommended insertion torque:  
Ø 3.6mm 35-50 NCM / Ø 4.2-5.0mm 35-60 NCM.  
Procedure recommended by Ritter Implants cannot replace the judgment and professional experience of the surgeon. Adequate bone is needed to support the implant with width and height being the primary dimensions of concern. In situations of torque levels lower than 30 NCM an unloaded healing period of 4-6 months is recommended to enable osseointegration.

- Manual insertion by a driver or ratchet



- Contra-angle insertion by a motor



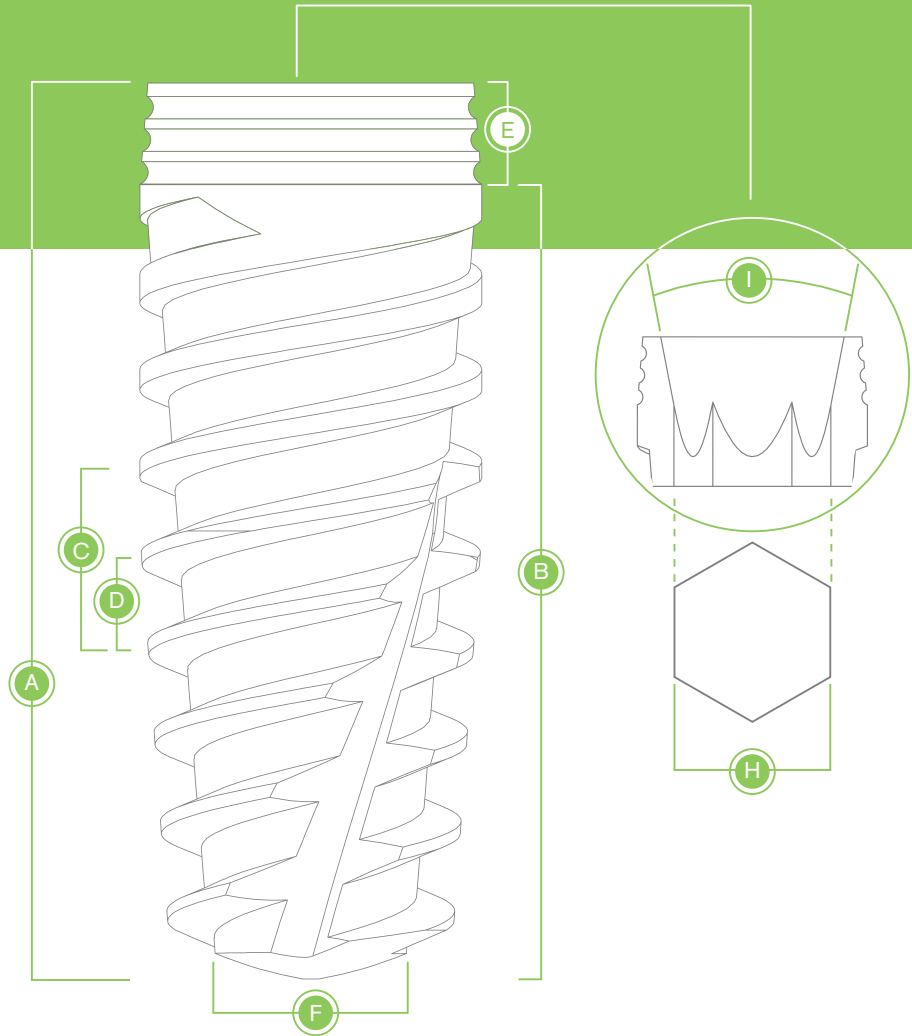




## Implant- Dimensions



Anodized & color coded Implant connection for easy identification.



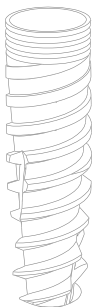
Platform Ø 3.6 mm	A Overall Height	B Thread Height	C Thread Pitch	D Thread Spacing	E Collar Height	F Tip Diameter	H Hex Size	I Platform Angle(°)
8	8	6.8	2.2	1.1	1.2	2.1	2.5	22°
10	9.5	8.3	2.2	1.1	1.2	2.1	2.5	22°
11.5	11	9.8	2.2	1.1	1.2	2.1	2.5	22°
13	12.5	11.3	2.2	1.1	1.2	2.1	2.5	22°
15	14.5	13.3	2.2	1.1	1.2	2.1	2.5	22°
Ø 4.2 mm								
8	8	6.8	2.2	1.1	1.2	2.7	2.5	22°
10	9.5	8.3	2.2	1.1	1.2	2.7	2.5	22°
11.5	11	9.8	2.2	1.1	1.2	2.7	2.5	22°
13	12.5	11.3	2.2	1.1	1.2	2.7	2.5	22°
15	14.5	13.3	2.2	1.1	1.2	2.7	2.5	22°
Ø 5.0 mm								
6	6.5	5.3	2.2	1.1	1.2	2.7	2.5	22°
8	8	6.8	2.2	1.1	1.2	2.7	2.5	22°
10	9.5	8.3	2.2	1.1	1.2	2.7	2.5	22°
11.5	11	9.8	2.2	1.1	1.2	2.7	2.5	22°
13	12.5	11.3	2.2	1.1	1.2	2.7	2.5	22°

All dimensions in millimeters

# Recommended Tightening Torque



Cover Screw  
8-10 NCM



Ø 3.6mm  
35-50 NCM  
Ø 4.2/5.0 mm  
35-60 NCM

## Titanium Healing Abutments:

8-10 NCM



## Temporary Titanium Abutments:

20 NCM



## Titanium / Peek / Zirconia Abutments:

30 NCM Straight/Angled



## Pop-Clicq™ Overdenture Abutments:

30 NCM Straight/Angled



## Multi-Clicq™ - Multi-Unit Abutments:

30 NCM Straight/Angled



## Multi Unit Components:

22 NCM









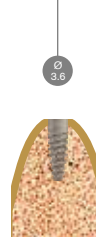


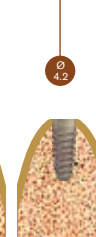




# Fortis® RP Conical Connection Drilling Protocol



	3.6mm	4.2mm	5.0mm
			
<b>L</b>	<b>REF</b>	<b>REF</b>	<b>REF</b>
6mm			FR-TS-RP5006
8mm	FR-TS-RP3508	FR-TS-RP4208	FR-TS-RP5008
10mm	FR-TS-RP3510	FR-TS-RP4210	FR-TS-RP5010
11.5mm	FR-TS-RP3511	FR-TS-RP4211	FR-TS-RP5011
13mm	FR-TS-RP3513	FR-TS-RP4213	FR-TS-RP5013
15mm	FR-TS-RP3515	FR-TS-RP4215	

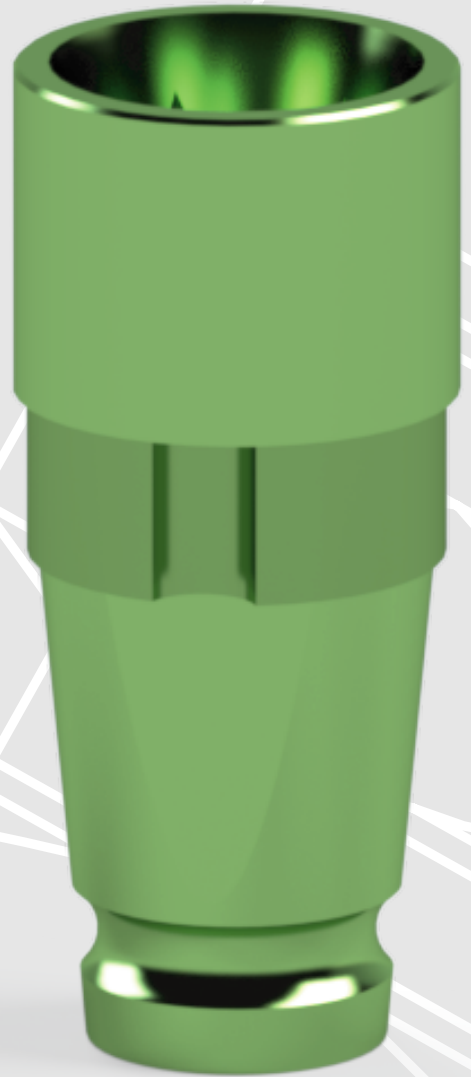
## Drilling Procedure

	For all Bone Types					For all Bone Types		I+II Bone Types		I+II Bone Types	
											
											
											
<b>RPM</b>	1200-1500	900-1200	500-700	400-700	200-500	300-500	200-500	300-500	200-500		
<b>Drills Diameter Ø(mm)</b>	2.0 Lance Drill	2.4	2.7	3.1	3.5	3.7	4.2	4.4	5.0		
											

# 1

## Impression & Lab Components



- Lab Analogs
- Impression Copings
- Castable & UCLA Abutments



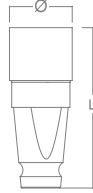

# Lab Analogs



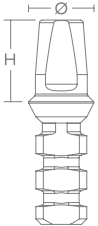



## Titanium Implant Analog

	
<b>L</b>	15 mm
<b>Ø</b>	3.5 mm
<b>REF</b>	IA-TS-RP
<b>Web ID</b>	1130011-272

## Digital Implant Analog

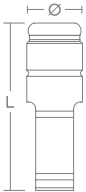

	
<b>L</b>	9 mm
<b>Ø</b>	4 mm
<b>REF</b>	DIA-TS-RP
<b>Web ID</b>	1130015-272

## Clicq™ Pression - Abutment Analog

			
<b>H</b>	4 mm	6 mm	8 mm
<b>Ø</b>	4.8 mm	4.8 mm	4.8 mm
<b>REF</b>	TAP-AN-S	TAP-AN-M	TAP-AN-L
<b>Web ID</b>	4120011	4120021	4120031

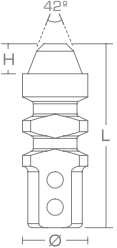

See Page - 33

## Pop-Clicq™ - Abutment Analog

	
<b>L</b>	12 mm
<b>Ø</b>	4.1 mm
<b>REF</b>	LOCW-AN
<b>Web ID</b>	4210011

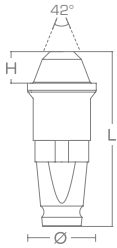

See Page - 38

## Multi-Clicq™ - Abutment Analog

	
<b>L</b>	13.5 mm
<b>H</b>	2.2 mm
<b>Ø</b>	4.8 mm
<b>REF</b>	MUL-KS-AN
<b>Web ID</b>	4410111

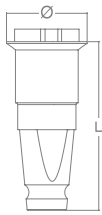

See Page - 47

## Multi-Clicq™ - Digital Analog

	
<b>L</b>	12 mm
<b>H</b>	2.2 mm
<b>Ø</b>	4.8 mm
<b>REF</b>	MUL-KS-DAN
<b>Web ID</b>	4410115

See Page - 47

## Clicq-Base™ - Digital Analog

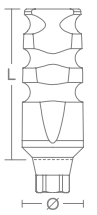
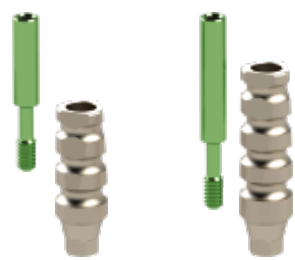
	
<b>L</b>	10 mm
<b>Ø</b>	4.5 mm
<b>REF</b>	TBK-AN
<b>Web ID</b>	4130011

See Page - 71

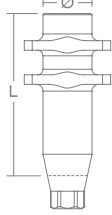

# Impression Copings



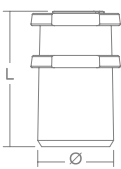

## Closed Tray Impression Coping

	
<b>L</b>	8.5 mm      11.5 mm
<b>Ø</b>	3.8 mm      3.8 mm
<b>REF</b>	CT-TS-RPSN      CT-TS-RPLN
<b>Web ID</b>	1130021-272      1130022-272

## Open Tray Impression Coping

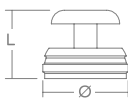

	
<b>L</b>	12 mm
<b>Ø</b>	4.3 mm
<b>REF</b>	OT-TS-RP
<b>Web ID</b>	1130031-272

## Clcq™ PreSSION - Closed Tray Plastic Transfer

	
<b>L</b>	10 mm
<b>Ø</b>	5.6 mm
<b>REF</b>	TAP-PT
<b>Web ID</b>	4120061

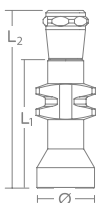

See Page - 33

## Pop-Clcq™ - Pick-Up Impression Transfer

	
<b>L</b>	4.5 mm
<b>Ø</b>	5.65 mm
<b>REF</b>	LOCW-PU
<b>Web ID</b>	4210021

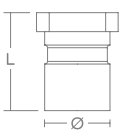

See Page - 38

## Multi-Clcq™ - Open Tray Transfer

	
<b>L1/L2</b>	10.7 / 14.7 mm
<b>Ø</b>	4.8 mm
<b>REF</b>	MUL-KS-OTUG
<b>Web ID</b>	4430151

See Page - 47

## Multi-Clcq™ - Closed Tray Plastic Transfer

	
<b>L</b>	7.2 mm
<b>Ø</b>	4.8 mm
<b>REF</b>	MUL-KS-PUUG
<b>Web ID</b>	4430141

See Page - 47

# Castable & UCLA Abutments



## Cobalt Chrome Abutment / UCLA

	<p>Anti Rotational</p>	<p>Rotational</p>
<b>L</b>	10.5 mm	10.5 mm
<b>Ø</b>	4.5 mm	4.5 mm
<b>REF</b>	ABZ-TS-RPCC	ABZ-TS-RPCCR
<b>Web ID</b>	1130036-272	1130037-272

## Plastic Castable Abutment

	<p>Anti Rotational</p>	<p>Rotational</p>
<b>L</b>	9 mm	9 mm
<b>Ø</b>	4.5 mm	4.5 mm
<b>REF</b>	PAC-TS-RP	PAC-TS-RPR
<b>Web ID</b>	1130038-272	1130039-272

## Clicq™ Pression - Waxing Sleeve

	<p>Anti Rotational</p>	<p>Rotational</p>
<b>L</b>	8.5 mm	8.5 mm
<b>Ø</b>	4.6 mm	4.6 mm
<b>REF</b>	TAP-WS	TAP-WSR
<b>Web ID</b>	4120051	4120056

See Page - 33

## Multi-Clicq™ - Cobalt Chrome UCLA

	<p>Anti Rotational</p>	<p>Rotational</p>
<b>L</b>	12.5 mm	
<b>H</b>	2.3 mm	
<b>Ø</b>	4.8 mm	
<b>REF</b>	MUL-KS-SLVCCUG	
<b>Web ID</b>	4430181	

See Page - 47

## Multi-Clicq™ - Castable Plastic Sleeve

	<p>Anti Rotational</p>	<p>Rotational</p>
<b>L</b>	12 mm	
<b>Ø</b>	4.8 mm	
<b>REF</b>	MUL-KS-SLVPSUG	
<b>Web ID</b>	4430191	

See Page - 47



# 2

## Dental Abutments

- Healing Abutments
- Temporary Abutments
- Titanium Standard Abutments
- Titanium Anatomic Abutments
- Zirconia Abutments



“

**WHAT YOU ARE  
WILL SHOW  
IN WHAT YOU DO.**

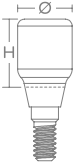




Thomas A. Edison

”

# Healing Abutments

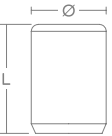





## Titanium Healing Abutment

				
<b>H</b>	3 mm	5 mm	3 mm	5 mm
<b>Ø</b>	5 mm	5 mm	6 mm	6 mm
<b>REF</b>	HA-TS-RP30N	HA-TS-RP50N	HA-TS-RP30	HA-TS-RP50
<b>Web ID</b>	1130041-272	1130042-272	1130043-272	1130044-272



## Clicq™ Pression - Healing Cap

Medical Peek - Classix

			
<b>L</b>	6 mm	8 mm	10 mm
<b>Ø</b>	5.5 mm	5.5 mm	5.5 mm
<b>REF</b>	TAP-HA-S	TAP-HA-M	TAP-HA-L
<b>Web ID</b>	4120041	4120042	4120043

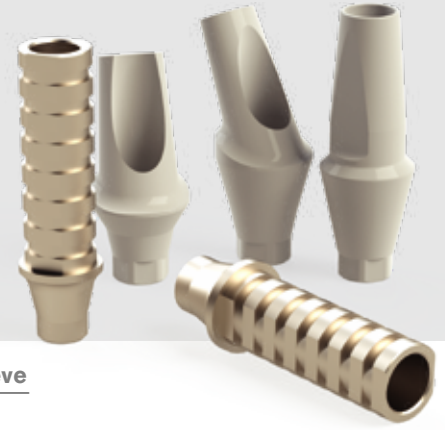
See Page - 33

## Multi-Clicq™ - Healing Cap

	
<b>L</b>	5.2 mm
<b>Ø</b>	4.8 mm
<b>REF</b>	MUL-KS-HAUG
<b>Web ID</b>	4430131

See Page - 47

# Temporary Abutments



## Temporary Titanium Abutment

	Anti-Rotational	Rotational
<b>L</b>	12 mm	12 mm
<b>Ø</b>	4.5 mm	4.5 mm
<b>REF</b>	TTA-TS-RP	TTA-TS-RPR
<b>Web ID</b>	1130051-272	1130052-272

## Multi-Clicq™ - Temporary Titanium Sleeve

<b>L</b>	12 mm
<b>Ø</b>	4.8 mm
<b>REF</b>	MUL-KS-SLVTIUG
<b>Web ID</b>	4430211

See Page - 48

## Temporary Peek - Straight Abutment

Medical Peek - Classix

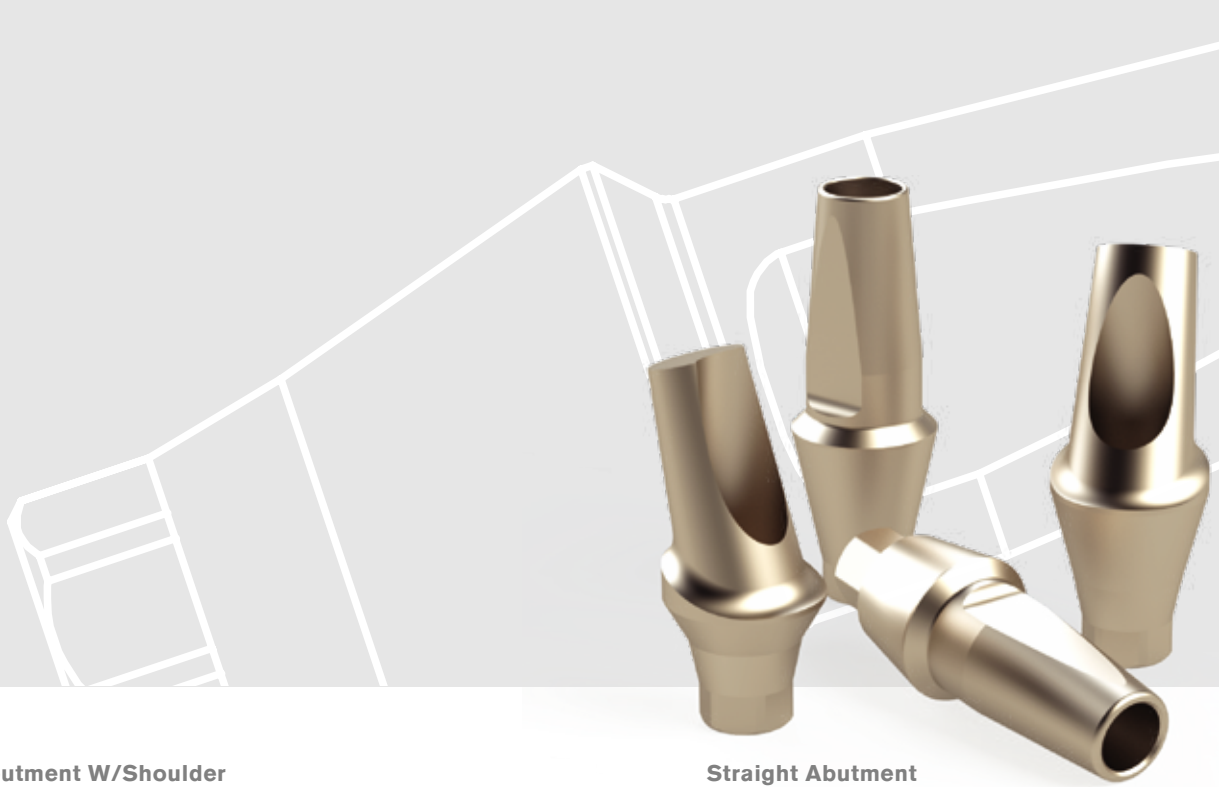
	1.5 mm	3 mm	4.5 mm
<b>H</b>	1.5 mm	3 mm	4.5 mm
<b>Ø</b>	4.8 mm	4.8 mm	4.8 mm
<b>REF</b>	PA-TS-RP15	PA-TS-RP30	PA-TS-RP45
<b>Web ID</b>	1130061-272	1130062-272	1130063-272

## Temporary Peek - Anatomic Angled Abutment -15°

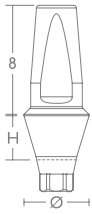




Medical Peek - Classix

	8.5 mm	10 mm	11.5 mm
<b>L</b>	8.5 mm	10 mm	11.5 mm
<b>H</b>	1.5 mm	3 mm	4.5 mm
<b>Ø</b>	5 mm	5 mm	5 mm
<b>REF</b>	PAA-TS-RP1515	PAA-TS-RP1530	PAA-TS-RP1545
<b>Web ID</b>	1130071-272	1130072-272	1130073-272

# Titanium Abutments



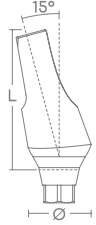


## Straight Abutment W/Shoulder

				
<b>H</b>	1.5 mm	3 mm	4.5 mm	
<b>Ø</b>	4.8 mm	4.8 mm	4.8 mm	
<b>REF</b>	TA-TS-RP15	TA-TS-RP30	TA-TS-RP45	
<b>Web ID</b>	1130081-272	1130082-272	1130083-272	

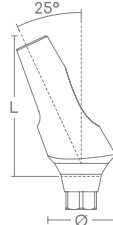


## Straight Abutment

			
<b>L</b>	10 mm	10 mm	
<b>Ø</b>	4.5 mm	5.5 mm	
<b>REF</b>	SA-TS-RP	SA-TS-RPW	
<b>Web ID</b>	1130086-272	1130087-272	

## Angled Abutment 15°

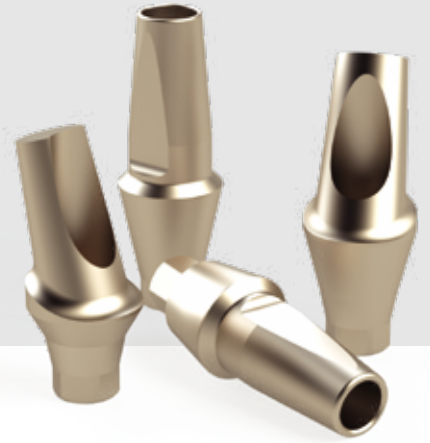
		
<b>L</b>	10 mm	
<b>Ø</b>	4.8 mm	
<b>REF</b>	TA-TS-RP1500	
<b>Web ID</b>	1130111-272	

## Angled Abutment 25°

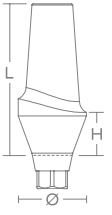




		
<b>L</b>	10 mm	
<b>Ø</b>	4.8 mm	
<b>REF</b>	TA-TS-RP2500	
<b>Web ID</b>	1130131-272	

# Anatomic Abutments


## Titanium Abutments



### Anatomic Straight Abutment

				
<b>L</b>		9.5 mm	11 mm	12.5 mm
<b>H</b>		1.5 mm	3 mm	4.5 mm
<b>Ø</b>		5 mm	5 mm	5 mm
<b>REF</b>		TAA-TS-RP15	TAA-TS-RP30	TAA-TS-RP45
<b>Web ID</b>		1130091-272	1130092-272	1130093-272

### Anatomic Angled Abutment -15°

				
<b>L</b>		8.5 mm	10 mm	11.5 mm
<b>H</b>		1.5 mm	3 mm	4.5 mm
<b>Ø</b>		5 mm	5 mm	5 mm
<b>REF</b>		TAA-TS-RP1515	TAA-TS-RP1530	TAA-TS-RP1545
<b>Web ID</b>		1130121-272	1130122-272	1130123-272

### Anatomic Angled Abutment -25°

				
<b>L</b>		8.5 mm	10 mm	11.5 mm
<b>H</b>		1.5 mm	3 mm	4.5 mm
<b>Ø</b>		5 mm	5 mm	5 mm
<b>REF</b>		TAA-TS-RP2515	TAA-TS-RP2530	TAA-TS-RP2545
<b>Web ID</b>		1130141-272	1130142-272	1130143-272

# Zircocam™

## Zirconia Abutments



### Zircocam™ - Anatomic Straight Titanium Abutment

				
<b>L</b>		10.5 mm	11.5 mm	12.5 mm
<b>H</b>		1.5 mm	3 mm	4.5 mm
<b>Ø</b>		5.5 mm	5.5 mm	5.5 mm
<b>REF</b>		ZAA-TS-RP15	ZAA-TS-RP30	ZAA-TS-RP45
<b>Web ID</b>		1130221-272	1130222-272	1130223-272

### Zircocam™ - Anatomic Angled Abutment 15°

				
<b>L</b>		10 mm	11 mm	12 mm
<b>H</b>		1.5 mm	3 mm	4.5 mm
<b>Ø</b>		5.5 mm	5.5 mm	5.5 mm
<b>REF</b>		ZAA-TS-RP1515	ZAA-TS-RP1530	ZAA-TS-RP1545
<b>Web ID</b>		1130231-272	1130232-272	1130233-272

### Zircocam™ - Anatomic Angled Abutment 25°

				
<b>L</b>		9 mm	10 mm	11 mm
<b>H</b>		1.5 mm	3 mm	4.5 mm
<b>Ø</b>		5.5 mm	5.5 mm	5.5 mm
<b>REF</b>		ZAA-TS-RP2515	ZAA-TS-RP2530	ZAA-TS-RP2545
<b>Web ID</b>		1130235-272	1130236-272	1130237-272

# Sit Back And Relax, **We've Got You Covered.**

It is of utmost importance to provide exceptional service to our customers and see it as an integral part of the formula for success. Attentive listening and accommodating ongoing customer needs is what we believe builds a solid and successful business relationship.





3



## Clicq™ - Pression

### Transfer Abutments

- Professional & Starter Kit
- Straight Abutments
- Angled Abutments
- Components

## Clicq™ Pression Transfer Abutments

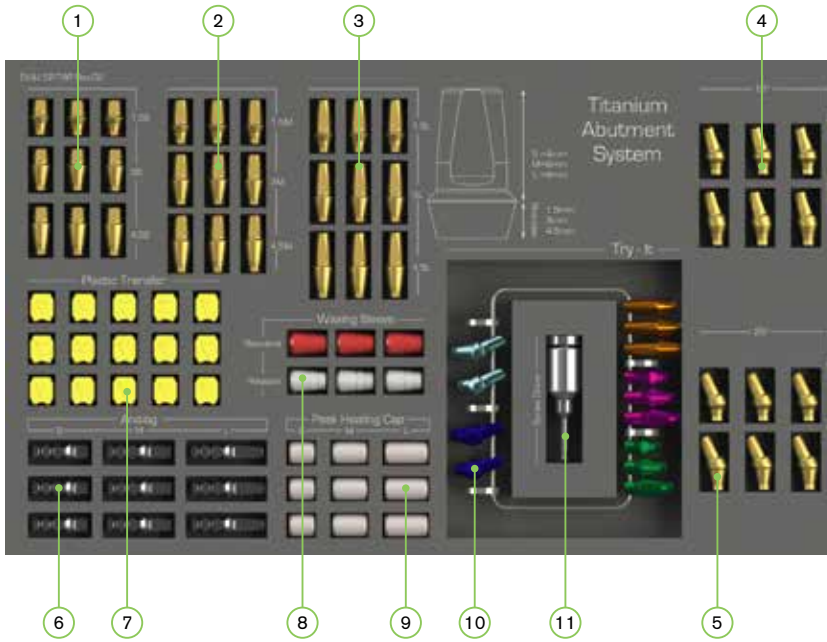


Our Clicq™-Pression line offers dentists a transfer abutment that can also serve as a final abutment, as well as allows you to take a full mouth impression. The diversity of options for this line of abutments gives options for almost every case imaginable, with a variety of collar heights, cone lengths, angulations and connections to choose from. All abutments come with a titanium nitride (TiN) coating and with an option of a yellow snap-on transfer cap for maximized precision during insertion.

The Clicq™-Pression professional kit has three angle options: straight, 15° and 25°. It offers three different collar heights, cone lengths and diameters of straight abutments, plus angled abutments of either 1.5mm or 3.0mm. In addition, there are three different sizes of analogs and peek healing caps, plastic transfers, two types of waxing sleeves, and a screwdriver. Clicq™-Pression products are also available as single abutments, yellow-capped abutments, or as a starter kit.

# Clicq™ Pression

## Professional & Starter Kit



- 1 - Straight Transfer Abutments - Short
- 2 - Straight Transfer Abutments - Medium
- 3 - Straight Transfer Abutments - Long
- 4 - Angled Transfer Abutments - 15°
- 5 - Angled Transfer Abutments - 25°
- 6 - Abutment Analogs
- 7 - Plastic Transfers
- 8 - Waxing Sleeves\*
- 9 - Healing Caps
- 10 - Try-It\*
- 11 - Screw Driver

(\*For Professional Kit only)

### Starter Kit

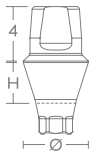

REF	TAP-TS-RPSK		
Web ID	1130161-272		
		TAP-TS-RP15S	- 3 pcs
		TAP-TS-RP30S	- 3 pcs
		TAP-TS-RP45S	- 3 pcs
		TAP-TS-RP15M	- 3 pcs
		TAP-TS-RP30M	- 3 pcs
		TAP-TS-RP45M	- 3 pcs
		TAP-TS-RP15L	- 3 pcs
		TAP-TS-RP30L	- 3 pcs
		TAP-TS-RP45L	- 3 pcs
		TAP-TS-RP1515	- 3 pcs
		TAP-TS-RP1530	- 3 pcs
		TAP-TS-RP2515	- 3 pcs
		TAP-TS-RP2530	- 3 pcs
		TAP-AN-S	- 3 pcs
		TAP-AN-M	- 3 pcs
		TAP-AN-L	- 3 pcs
		TAP-PT	- 15 pcs
		TAP-HA-S	- 3 pcs
		TAP-HA-M	- 3 pcs
		TAP-HA-L	- 3 pcs
		HSDA-SV-L	- 1 pcs

### Professional Kit

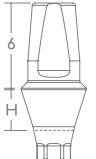

REF	TAP-TS-RPPK		
Web ID	1130162-272		
		TAP-TS-RP15S	- 3 pcs
		TAP-TS-RP30S	- 3 pcs
		TAP-TS-RP45S	- 3 pcs
		TAP-TS-RP15M	- 3 pcs
		TAP-TS-RP30M	- 3 pcs
		TAP-TS-RP45M	- 3 pcs
		TAP-TS-RP15L	- 3 pcs
		TAP-TS-RP30L	- 3 pcs
		TAP-TS-RP45L	- 3 pcs
		TAP-TS-RP1515	- 3 pcs
		TAP-TS-RP1530	- 3 pcs
		TAP-TS-RP2515	- 3 pcs
		TAP-TS-RP2530	- 3 pcs
		TAP-AN-S	- 3 pcs
		TAP-AN-M	- 3 pcs
		TAP-AN-L	- 3 pcs
		TAP-PT	- 15 pcs
		* TAP-WS	- 3 pcs
		* TAP-WSR	- 3 pcs
		TAP-HA-S	- 3 pcs
		TAP-HA-M	- 3 pcs
		TAP-HA-L	- 3 pcs
		* Try-it	- 13 pcs
		HSDA-SV-L	- 1 pcs

# Clicq™ - Pression Straight Abutments

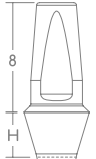
## Straight Transfer Abutment - Short

			
	<b>H</b>	1.5 mm	3 mm
<b>Ø</b>	4.8 mm	4.8 mm	4.8 mm
<b>REF</b>	TAP-TS-RP15S	TAP-TS-RP30S	TAP-TS-RP45S
<b>Web ID</b>	1130171-272	1130172-272	1130173-272

## Straight Transfer Abutment - Medium

			
	<b>H</b>	1.5 mm	3 mm
<b>Ø</b>	4.8 mm	4.8 mm	4.8 mm
<b>REF</b>	TAP-TS-RP15M	TAP-TS-RP30M	TAP-TS-RP45M
<b>Web ID</b>	1130176-272	1130177-272	1130178-272

## Straight Transfer Abutment - Long

			
	<b>H</b>	1.5 mm	3 mm
<b>Ø</b>	4.8 mm	4.8 mm	4.8 mm
<b>REF</b>	TAP-TS-RP15L	TAP-TS-RP30L	TAP-TS-RP45L
<b>Web ID</b>	1130181-272	1130182-272	1130183-272



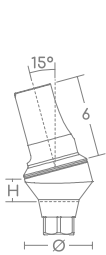
**Contents:**  
 Straight / Angled Abutment  
 Titanium Screw  
 Plastic Transfer

# Clicq™ - Pression

## Angled Abutments

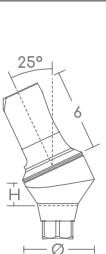


### Angled Transfer Abutment 15°



<b>H</b>	1.5 mm	3 mm
<b>Ø</b>	4.8 mm	4.8 mm
<b>REF</b>	TAP-TS-RP1515	TAP-TS-RP1530
<b>Web ID</b>	1130191-272	1130192-272

### Angled Transfer Abutment 25°



<b>H</b>	1.5 mm	3 mm
<b>Ø</b>	4.8 mm	4.8 mm
<b>REF</b>	TAP-TS-RP2515	TAP-TS-RP2530
<b>Web ID</b>	1130211-272	1130212-272

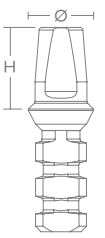





**Contents:**  
Straight / Angled Abutment  
Titanium Screw  
Plastic Transfer

# Clicq™ - Pression Components







## Clicq™ Pression - Abutment Analog

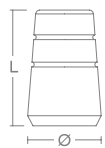


			
<b>H</b>	4 mm	6 mm	8 mm
<b>Ø</b>	4.8 mm	4.8 mm	4.8 mm
<b>REF</b>	TAP-AN-S	TAP-AN-M	TAP-AN-L
<b>Web ID</b>	4120011	4120021	4120031

## Clicq™ Pression - Healing Cap

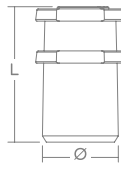

Medical Peek - Classix

			
<b>L</b>	6 mm	8 mm	10 mm
<b>Ø</b>	5.5 mm	5.5 mm	5.5 mm
<b>REF</b>	TAP-HA-S	TAP-HA-M	TAP-HA-L
<b>Web ID</b>	4120041	4120042	4120043

## Clicq™ Pression - Waxing Sleeve

		
<b>L</b>	8.5 mm	8.5 mm
<b>Ø</b>	4.6 mm	4.6 mm
<b>REF</b>	TAP-WS	TAP-WSR
<b>Web ID</b>	4120051	4120056

## Clicq™ Pression - Closed Tray Plastic Transfer

	
<b>L</b>	10 mm
<b>Ø</b>	5.6 mm
<b>REF</b>	TAP-PT
<b>Web ID</b>	4120061

# 4



## Pop-Clicq™ Removable Overdenture Solutions

- Professional & Mini Kits
- Components
- Pop-Clicq™ - Bar
- Bar Components



## Pop-Clicq™ Attachments Removable Overdenture Solutions

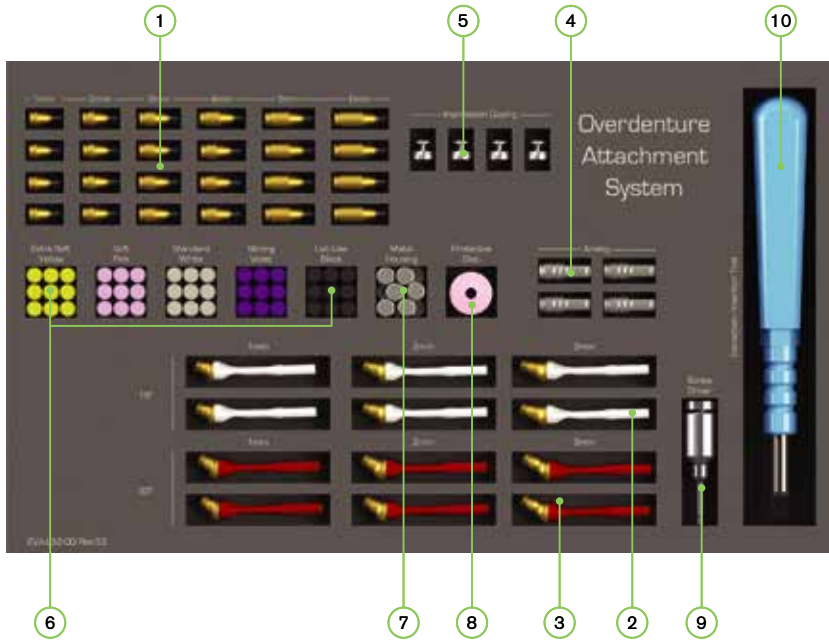


The abutments in the Pop-Clicq™ line benefit from high durability and easy insertion/removal. The self-aligning design allows the dentist to customize the attachment for various levels of retention, achieving the lowest possible vertical profile. The Pop-Clicq™ has a pivoting capacity that increases the attachment's resilience, particularly with regard to tolerance level against mastication force. The design of the pivot system provides a truly strong connection without any loss in the abutment's retention.

Angle options for the 112-piece Pop-Clicq™ professional kit are straight, 18° and 30° with six abutment length options. These kits include: five different color options of retentive caps, metal housings, a protective disc, both metal and plastic impression transfers, an extraction/insertion tool and a screwdriver.



# Pop-Clicq™ Overdenture Attachments Professional Kit



- 1 - Straight Titanium Pop-Clicq™ - 1-6 mm
- 2 - Angled Titanium Pop-Clicq™ 18° - 1-3 mm
- 3 - Angled Titanium Pop-Clicq™ 30° - 1-3 mm
- 4 - Abutment Analogs
- 5 - Pick-Up Impression Transfer
- 6 - Retentive Cap
- 7 - Metal Housing
- 8 - Protective Disc
- 9 - Screw Driver
- 10 - Insertion & Extraction Tool

### Professional Kit

REF	LOCW-TS-RPPK		
<b>Web ID</b>	1130242-272		
		LOCW-TS-RP10	- 4 pcs
		LOCW-TS-RP20	- 4 pcs
		LOCW-TS-RP30	- 4 pcs
		LOCW-TS-RP40	- 4 pcs
		LOCW-TS-RP50	- 4 pcs
		LOCW-TS-RP60	- 4 pcs
		LOCW-TS-RP1810	- 2 pcs
		LOCW-TS-RP1820	- 2 pcs
		LOCW-TS-RP1830	- 2 pcs
		LOCW-TS-RP3010	- 2 pcs
		LOCW-TS-RP3020	- 2 pcs
		LOCW-TS-RP3030	- 2 pcs
		LOCW-AN	- 4 pcs
		LOCW-PU	- 4 pcs
		LOCW-RCY	- 8 pcs
		LOCW-RCP	- 8 pcs
		LOCW-RCT	- 8 pcs
		LOCW-RCV	- 8 pcs
		LOCW-RCB	- 8 pcs
		LOCW-MH	- 10 pcs
		LOCW-PD	- 10 pcs
		HSDA-SV-L	- 1 pcs
		OD-TK	- 1 pcs

# Pop-Clicq™ Overdenture Attachments Mini Kits



## Straight Pop-Clicq™ Attachment - Mini Kit

	1 mm	2 mm	3 mm	4 mm	5 mm	6 mm
<b>H</b>	1 mm	2 mm	3 mm	4 mm	5 mm	6 mm
<b>Ø</b>	4.1 mm	4.1 mm	4.1 mm	4.1 mm	4.1 mm	4.1 mm
<b>REF</b>	LOCW-TS-RP10K	LOCW-TS-RP20K	LOCW-TS-RP30K	LOCW-TS-RP40K	LOCW-TS-RP50K	LOCW-TS-RP60K
<b>Web ID</b>	1130281-272	1130282-272	1130283-272	1130284-272	1130285-272	1130286-272

## Angled Pop-Clicq™ Attachment 18° - Mini Kit

	2.75 mm	3.75 mm	4.75 mm
<b>G</b>	2.75 mm	3.75 mm	4.75 mm
<b>H</b>	1 mm	2 mm	3 mm
<b>Ø</b>	5.2 mm	5.2 mm	5.2 mm
<b>REF</b>	LOCW-TS-RP1810K	LOCW-TS-RP1820K	LOCW-TS-RP1830K
<b>Web ID</b>	1130291-272	1130292-272	1130293-272

## Angled Pop-Clicq™ Attachment 30° - Mini Kit

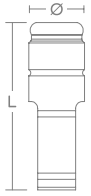

	3.75 mm	4.75 mm	5.75 mm
<b>G</b>	3.75 mm	4.75 mm	5.75 mm
<b>H</b>	1 mm	2 mm	3 mm
<b>Ø</b>	5.2 mm	5.2 mm	5.2 mm
<b>REF</b>	LOCW-TS-RP3010K	LOCW-TS-RP3020K	LOCW-TS-RP3030K
<b>Web ID</b>	1130311-272	1130312-272	1130313-272

### Mini Kit - Content



Straight/18°/30° Attachment	- 1 pcs
LOCW-MH	- 1 pcs
LOCW-RCB	- 1 pcs
LOCW-RCY	- 1 pcs
LOCW-RCP	- 1 pcs
LOCW-RCT	- 1 pcs
LOCW-PD	- 1 pcs

# Pop-Clicq™ Overdenture Attachments Components

## Abutment Analog

	
<b>L</b>	12.3 mm
<b>Ø</b>	4.1 mm
<b>REF</b>	LOCW-AN
<b>Web ID</b>	4210011

## Pick-Up Impression Transfer

	
<b>L</b>	4.5 mm
<b>Ø</b>	5.65 mm
<b>REF</b>	LOCW-PU
<b>Web ID</b>	4210021



## Metal Housing (2 pcs/pack)

	
<b>L</b>	2 mm
<b>Ø</b>	5.65 mm
<b>REF</b>	LOCW-MH
<b>Web ID</b>	4210031

## Retentive Cap (4 pcs/pack)

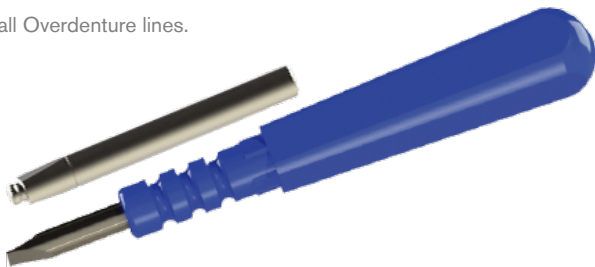
	Lab use only Black laboratory	Ex-Soft Yellow 0.6kg	Soft Pink 1.2kg	Standard Transparent 1.8kg	Strong Violet 2.7kg
					
<b>L</b>	1.75 mm	1.75 mm	1.75 mm	1.75 mm	1.75 mm
<b>Ø</b>	5 mm	5 mm	5 mm	5 mm	5 mm
<b>REF</b>	LOCW-RCB	LOCW-RCY	LOCW-RCP	LOCW-RCT	LOCW-RCV
<b>Web ID</b>	4210041	4210061	4210071	4210081	4210091

## Protective Disc (4 pcs/pack)

	
<b>Ø1</b>	13.5 mm
<b>Ø2</b>	2.7 mm
<b>REF</b>	LOCW-PD
<b>Web ID</b>	4210111

## Insertion & Extraction Tool for Overdenture Attachments

Suitable for all Overdenture lines.



<b>REF</b>	OD-TK
<b>Web ID</b>	7750271



## Pop-Clicq™ Bar

### Removable Overdenture Solutions



### Pop-Clicq™ - Bar

#### It's Time To Raise The Bar!

We are proud to introduce a game changer in the field of On-2 / On-4 Implants:  
Prefabricated Removable Bar for Overdentures.

#### Main Advantages:

- Made of Titanium & Light weight
- Can be done chairside
- No need to send to an external Lab
- Time efficient
- Cost effective
- Grants better stability
- Very easy to use and fast to install



# Pop-Clicq™ Bar

## Overdenture Attachments

### Bar Kits & Components

**On 2**

<b>REF</b>	LOCW-BK2
<b>Web ID</b>	4210211

**On 2 \*** (Screwdriver Included)

<b>REF</b>	LOCW-BK2D
<b>Web ID</b>	4210221

LOCW-ROD	- 2 pcs
LOCW-BMH	- 2 pcs
LOCW-AN	- 2 pcs
LOCW-PU	- 2 pcs
LOCW-BMHT	- 2 pcs
LOCW-BAS	- 3 pcs
*HSDA-SV-L	- 1 pcs

**On 4**


<b>REF</b>	LOCW-BK4
<b>Web ID</b>	4210231

**On 4 \*** (Screwdriver Included)

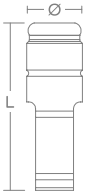

<b>REF</b>	LOCW-BK4D
<b>Web ID</b>	4210241

LOCW-ROD	- 2 pcs
LOCW-BMH	- 4 pcs
LOCW-AN	- 4 pcs
LOCW-PU	- 4 pcs
LOCW-BMHT	- 4 pcs
LOCW-BAS	- 6 pcs
*HSDA-SV-L	- 1 pcs

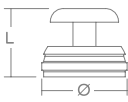

**Adjusting Screw (4 pcs/pack)**

	
<b>Hex</b>	1.25 mm
<b>REF</b>	LOCW-BAS
<b>Web ID</b>	4210281

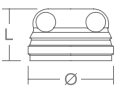

**Abutment Analog**

	
<b>L</b>	12.3 mm
<b>Ø</b>	4.1 mm
<b>REF</b>	LOCW-AN
<b>Web ID</b>	4210011


**Pick-Up Impression Transfer**

	
<b>L</b>	4.5 mm
<b>Ø</b>	5.65 mm
<b>REF</b>	LOCW-PU
<b>Web ID</b>	4210021

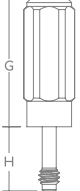

**Adjustable Metal Housing**

	
<b>L</b>	3.5 mm
<b>Ø</b>	5.65 mm
<b>REF</b>	LOCW-BMH
<b>Web ID</b>	4210251

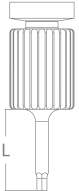

**Titanium Rods (2 pcs/pack)**

	
<b>L</b>	120 mm
<b>Ø</b>	1.3 mm
<b>REF</b>	LOCW-ROD
<b>Web ID</b>	4210261

**Metal Housing Adapter (2 pcs/pack)**

	
<b>G</b>	10 mm
<b>H</b>	5 mm
<b>REF</b>	LOCW-BMHT
<b>Web ID</b>	4210271

**Hand Screwdriver**

	
<b>L</b>	15 mm
<b>Hex</b>	1.25 mm
<b>REF</b>	HSDA-SV-L
<b>Web ID</b>	7740123

# Finding the **Perfect Fit.**

Having the right tools by your side to carry you through each procedure is paramount. Our selection of German-milled instruments was designed to offer versatility and precision throughout every dentist's workflow and the perfect fit for every operative need.





5

# Multi-Clicq™ On-X

Fixed Screw-Retained  
Restorations

- Professional & Mini Kits
- Components
- Clicq™ - Multi Bar
- Bar Components



## Multi-Clicq™ Fixed Screw-Retained Restorations



With a combination of a TiN (titanium nitride) coating and a wide, 1.6mm-diameter fixation screw, our Clicq™ Multi-Unit abutments are some of the most durable abutments on the market.

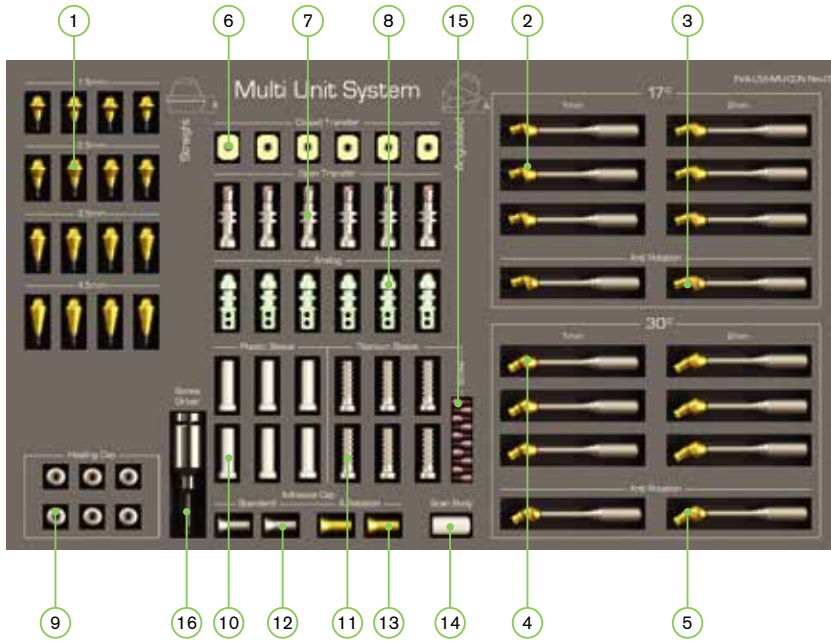
The Multi-Unit line offers choice of a wide variety of abutment angles, collar heights and compatibility with various brands, as well as the greatest range of angulation corrections and least lateral offset, ensuring uncompromising strength, versatility and simplicity. The intelligent design and restorative flexibility of our Multi-Unit abutments are matched by their ease of use and surgical efficiency, making them the ideal choice in even the most challenging edentulous cases.

The Clicq™ Multi-Unit's 84-piece professional kit has three angle options: straight, 17° and 30°, and contains five different abutment height options. The professional kit also includes open and closed transfers, healing caps, adhesive caps, plastic and titanium sleeves, titanium screws, a scan body, and a screwdriver. Our Clicq™ Multi-Unit products are also available for purchase as individual abutments, 78-piece starter kits, or 9-piece mini kits.



# Multi-Clicq™

## Multi Unit - Professional & Starter Kit



- 1 - Straight Titanium Multi-Clicq™ - 1.5-4.5 mm
- 2 - Angled Titanium Multi-Clicq™ - 17°-Rotational
- 3 - \*Angled Titanium Multi-Clicq™ - 17°-Anti-Rotational
- 4 - Angled Titanium Multi-Clicq™ - 30°-Rotational
- 5 - \*Angled Titanium Multi-Clicq™ - 30°-Anti-Rotational
- 6 - Closed Tray Plastic Transfer
- 7 - Open Tray Transfer
- 8 - Abutment Analogs
- 9 - Healing Cap
- 10 - Castable Plastic Sleeve
- 11 - Temporary Titanium Sleeve
- 12 - Adhesive Cap - Rotational
- 13 - \*Adhesive Cap - Anti-Rotational
- 14 - Scan Body
- 15 - Prosthetic Titanium Screw
- 16 - Screw Driver

(\*For Professional Kit only)

### Starter Kit

REF	MUL-TS-RPSK	MUL-TS-RPKS15	- 4 pcs
		MUL-TS-RPKS25	- 4 pcs
		MUL-TS-RPKS35	- 4 pcs
		MUL-TS-RPKS45	- 4 pcs
		MUL-TS-RPKS1710	- 3 pcs
		MUL-TS-RPKS1720	- 3 pcs
		MUL-TS-RPKS3010	- 3 pcs
		MUL-TS-RPKS3020	- 3 pcs
		MUL-KS-PUPUG	- 6 pcs
		MUL-KS-OTUG	- 6 pcs
		MUL-KS-AN	- 6 pcs
		MUL-KS-HAUG	- 6 pcs
		MUL-KS-SLVPSUG	- 6 pcs
		MUL-KS-SLVTIUG	- 6 pcs
		MUL-KS-ADRUG	- 2 pcs
		MUL-KS-SBUG	- 1 pcs
		MUL-KS-TSUG	- 10 pcs
		HSDA-SV-L	- 1 pcs

### Professional Kit

REF	MUL-TS-RPPK	MUL-TS-RPKS15	- 4 pcs
		MUL-TS-RPKS25	- 4 pcs
		MUL-TS-RPKS35	- 4 pcs
		MUL-TS-RPKS45	- 4 pcs
		MUL-TS-RPKS1710	- 3 pcs
		MUL-TS-RPKS1710H	- 1 pcs
		MUL-TS-RPKS1720	- 3 pcs
		MUL-TS-RPKS1720H	- 1 pcs
		MUL-TS-RPKS3010	- 3 pcs
		MUL-TS-RPKS3010H	- 1 pcs
		MUL-TS-RPKS3020	- 3 pcs
		MUL-TS-RPKS3020H	- 1 pcs
		MUL-KS-PUPUG	- 6 pcs
		MUL-KS-OTUG	- 6 pcs
		MUL-KS-AN	- 6 pcs
		MUL-KS-HAUG	- 6 pcs
		MUL-KS-SLVPSUG	- 6 pcs
		MUL-KS-SLVTIUG	- 6 pcs
		MUL-KS-ADRUG	- 2 pcs
		MUL-KS-ADUG	- 2 pcs
		MUL-KS-SBUG	- 1 pcs
		MUL-KS-TSUG	- 10 pcs
		HSDA-SV-L	- 1 pcs

# Multi-Clicq™

## Multi Unit - Mini Kits



### Multi-Clicq™ Straight Abutment - Mini Kit

					
<b>H</b>	1.5 mm	2.5 mm	3.5 mm	4.5 mm	5.5 mm
<b>Ø</b>	4.8 mm	4.8 mm	4.8 mm	4.8 mm	4.8 mm
<b>REF</b>	MUL-TS-RPKS15K	MUL-TS-RPKS25K	MUL-TS-RPKS35K	MUL-TS-RPKS45K	MUL-TS-RPKS55K
<b>Web ID</b>	1130471-272	1130472-272	1130473-272	1130474-272	1130475-272

### Multi-Clicq™ Angled Abutment 17° - Mini Kit

			
<b>H</b>	1 mm	2 mm	3 mm
<b>G</b>	2.5 mm	3.5 mm	4.5 mm
<b>Ø1/Ø2</b>	4.8/5 mm	4.8/5 mm	4.8/5 mm
<b>REF</b>	MUL-TS-RPKS1710K	MUL-TS-RPKS1720K	MUL-TS-RPKS1730K
<b>Web ID</b>	1130481-272	1130482-272	1130483-272

### Multi-Clicq™ Angled Abutment 30° - Mini Kit

			
<b>H</b>	1 mm	2 mm	3 mm
<b>G</b>	3.5 mm	4.5 mm	5.5 mm
<b>Ø1/Ø2</b>	4.8/4.5 mm	4.8/4.5 mm	4.8/4.5 mm
<b>REF</b>	MUL-TS-RPKS3010K	MUL-TS-RPKS3020K	MUL-TS-RPKS3030K
<b>Web ID</b>	1130491-272	1130492-272	1130493-272

#### Mini Kit - Content

Straight/17°/30° Attachment - 1 pcs

MUL-KS-AN	- 1 pcs
MUL-KS-PUPUG	- 1 pcs
MUL-KS-SLVPSUG	- 1 pcs
MUL-KS-SLVTIUG	- 1 pcs
MUL-KS-OTUG	- 1 pcs
MUL-KS-HAUG	- 1 pcs
MUL-KS-TSUG	- 2 pcs

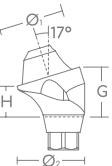



# Multi-Clicq™ Single Unit





## Multi-Clicq™ Straight Abutment - Single Unit

					
<b>H</b>	1.5 mm	2.5 mm	3.5 mm	4.5 mm	5.5 mm
<b>Ø</b>	4.8 mm	4.8 mm	4.8 mm	4.8 mm	4.8 mm
<b>REF</b>	MUL-TS-RPKS15	MUL-TS-RPKS25	MUL-TS-RPKS35	MUL-TS-RPKS45	MUL-TS-RPKS55
<b>Web ID</b>	1130511-272	1130512-272	1130513-272	1130514-272	1130515-272

## Multi-Clicq™ Angled Abutment 17° - Single Unit

			
<b>H</b>	1 mm	2 mm	3 mm
<b>G</b>	2.5 mm	3.5 mm	4.5 mm
<b>Ø1 / Ø2</b>	4.8/5 mm	4.8/5 mm	4.8/5 mm
<b>REF</b>	MUL-TS-RPKS1710	MUL-TS-RPKS1720	MUL-TS-RPKS1730
<b>Web ID</b>	1130521-272	1130522-272	1130523-272

## Anti Rotational Cone

	
1 mm	2 mm
2.5 mm	3.5 mm
4.8/5 mm	4.8/5 mm
MUL-TS-RPKS1710H	MUL-TS-RPKS1720H
1130541-272	1130542-272

## Multi-Clicq™ Angled Abutment 30° - Single Unit

			
<b>H</b>	1 mm	2 mm	3 mm
<b>G</b>	3.5 mm	4.5 mm	5.5 mm
<b>Ø1 / Ø2</b>	4.8/4.5 mm	4.8/4.5 mm	4.8/4.5 mm
<b>REF</b>	MUL-TS-RPKS3010	MUL-TS-RPKS3020	MUL-TS-RPKS3030
<b>Web ID</b>	1130531-272	1130532-272	1130533-272

## Anti Rotational Cone

	
1 mm	2 mm
3.5 mm	4.5 mm
4.8/4.5 mm	4.8/4.5 mm
MUL-TS-RPKS3010H	MUL-TS-RPKS3020H
1130551-272	1130552-272

# Multi-Clicq™ Components



## Multi-Clicq™ - Abutment Analog

<b>L</b>	13.5 mm
<b>H</b>	2.2 mm
<b>Ø</b>	4.8 mm
<b>REF</b>	MUL-KS-AN
<b>Web ID</b>	4410111

## Multi-Clicq™ - Digital Analog

<b>L</b>	12 mm
<b>H</b>	2.2 mm
<b>Ø</b>	4.8 mm
<b>REF</b>	MUL-KS-DAN
<b>Web ID</b>	4410115

## Multi-Clicq™ Closed Tray Plastic Transfer

<b>L</b>	7.2 mm
<b>Ø</b>	4.8 mm
<b>REF</b>	MUL-KS-PUPUG
<b>Web ID</b>	4430141

## Multi-Clicq™ Open Tray Transfer

<b>L1/L2</b>	10.7 / 4.2 mm
<b>Ø</b>	4.8 mm
<b>REF</b>	MUL-KS-OTUG
<b>Web ID</b>	4430151

## Multi-Clicq™ - Healing Cap

<b>L</b>	5.2 mm
<b>Ø</b>	4.8 mm
<b>REF</b>	MUL-KS-HAUG
<b>Web ID</b>	4430131

## Multi-Clicq™ - Cobalt Chrome UCLA

<b>L</b>	12.5 mm
<b>H</b>	2.3 mm
<b>Ø</b>	4.8 mm
<b>REF</b>	MUL-KS-SLVCCUG
<b>Web ID</b>	4430181

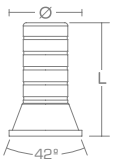
## Multi-Clicq™ - Castable Plastic Sleeve

<b>L</b>	12 mm
<b>Ø</b>	4.8 mm
<b>REF</b>	MUL-KS-SLVPSUG
<b>Web ID</b>	4430191

# Multi-Clicq™ Components

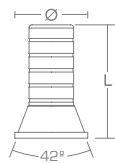


## Multi-Clicq™ - Adhesive Cap



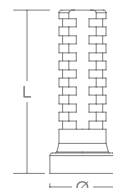
<b>L</b>	7.5 mm
<b>Ø</b>	4.8 mm
<b>REF</b>	MUL-KS-ADUG
<b>Web ID</b>	4430111

## Multi-Clicq™ - Adhesive Cap



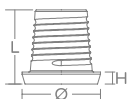
<b>L</b>	7.5 mm
<b>Ø</b>	4.8 mm
<b>REF</b>	MUL-KS-ADRUG
<b>Web ID</b>	4430121

## Multi-Clicq™ - Temporary Sleeve



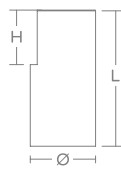
<b>L</b>	12 mm
<b>Ø</b>	4.8 mm
<b>REF</b>	MUL-KS-SLVTIUG
<b>Web ID</b>	4430211

## Multi-Clicq™ - Titanium Base



<b>L</b>	4.8 mm
<b>H</b>	0.6 mm
<b>Ø</b>	5 mm
<b>REF</b>	MUL-KS-TBRUG
<b>Web ID</b>	4430241

## Multi-Clicq™ Abutment Level Scan Body



<b>L</b>	10 mm
<b>H</b>	4 mm
<b>Ø</b>	4.8 mm
<b>REF</b>	MUL-KS-SBUG
<b>Web ID</b>	4430161

## Multi-Clicq™ - Fixation Screw



(2 pcs/pack)



<b>L</b>	4.6 mm
<b>Hex</b>	1.28 mm
<b>Ø</b>	2.1 mm
<b>REF</b>	MUL-KS-TSUG
<b>Web ID</b>	4430261

# Clicq™ Multi Bar

Design Patent Pending No. 62154  
Patent Pending No. US 62/679,389



## Clicq™ - Multi Bar It's Time To Raise The Bar!

We are proud to introduce a game changer  
in the field of On-4 / On-6 Implants:  
Prefabricated Permanent Bar for Fixed Dentures.

### Main Advantages:

- Made of Titanium & Light weight
- Can be done chairside
- No need to send to an external Lab
- Time efficient
- Cost effective
- Grants better stability
- Very easy to use and fast to install



Get a permanent bar  
for your patient  
within minutes

# Clicq™ Multi Bar Kits & Components



## On 4

<b>REF</b>	MUL-KS-BK4UG
<b>Web ID</b>	4430321

MUL-KS-BSLVUG	- 4 pcs
MUL-KS-ROD	- 2 pcs
MUL-KS-BAS	- 2 pcs
MUL-KS-TSUG	- 2 pcs
*HSDA-SV-L	- 1 pcs

## On 4 \* (Screwdriver Included)

<b>REF</b>	MUL-KS-BK4DUG
<b>Web ID</b>	4430331

## On 6

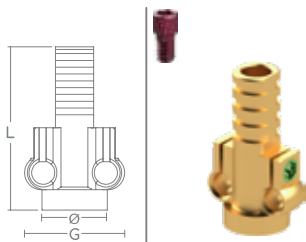
<b>REF</b>	MUL-KS-BK6UG
<b>Web ID</b>	4430351

MUL-KS-BSLVUG	- 6 pcs
MUL-KS-ROD	- 2 pcs
MUL-KS-BAS	- 2 pcs
MUL-KS-TSUG	- 2 pcs
*HSDA-SV-L	- 1 pcs

## On 6 \* (Screwdriver Included)

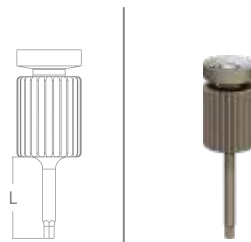
<b>REF</b>	MUL-KS-BK6DUG
<b>Web ID</b>	4430361

### Pre-Fabricated Adjustable Sleeve



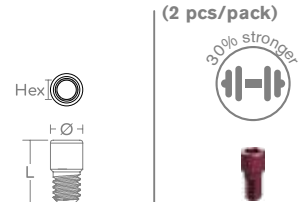
<b>L</b>	12 mm
<b>Ø/G</b>	4.8 / 7 mm
<b>REF</b>	MUL-KS-BSLVUG
<b>Web ID</b>	4430311

### Hand Screwdriver



<b>L</b>	15 mm
<b>Hex</b>	1.25 mm
<b>REF</b>	HSDA-SV-L
<b>Web ID</b>	7740123

### Multi-Clicq™ - Fixation Screw



<b>L</b>	4.6 mm
<b>Hex</b>	1.28 mm
<b>Ø</b>	2.1 mm
<b>REF</b>	MUL-KS-TSUG
<b>Web ID</b>	4430261

### Titanium Rods (2 pcs/pack)



<b>L</b>	130 mm
<b>Ø</b>	1.7 mm
<b>REF</b>	MUL-KS-ROD
<b>Web ID</b>	4410121

### Adjusting Screw (4 pcs/pack)



<b>Hex</b>	1.27 mm
<b>REF</b>	MUL-KS-BAS
<b>Web ID</b>	4690011

“

**THERE'S A  
WAY TO DO  
IT BETTER -  
FIND IT.**

Thomas A. Edison

”



# 6



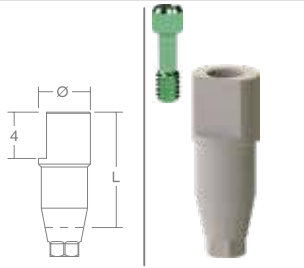
## Digital Dentistry

- Scan Abutments
- Pre-Milled Titanium Blank
- Uni-Base™
- Clicq-Base™
- Clicq-Multi Base™ On-X

# Scan Abutments & Pre-Milled Blank

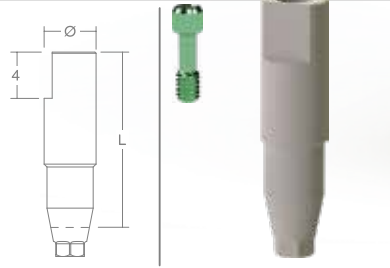


## Implant Level Scan Abutment



<b>L</b>	10 mm
<b>Ø</b>	4.5 mm
<b>REF</b>	SB-ET-RP
<b>Web ID</b>	1130674-272

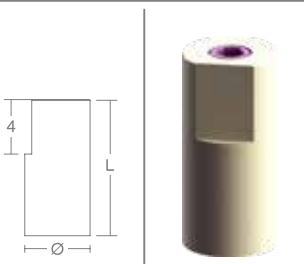
## Implant Level Scan Abutment



<b>L</b>	15 mm
<b>Ø</b>	4.5 mm
<b>REF</b>	SB-TS-RP
<b>Web ID</b>	1130671-272

Medical Peek - Classix

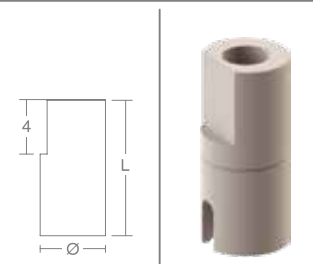
## Multi-Clicq™ Abutment Level Scan Body



<b>L</b>	10 mm
<b>Ø</b>	4.8 mm
<b>REF</b>	MUL-KS-SBUG
<b>Web ID</b>	4430161

See Page - 48

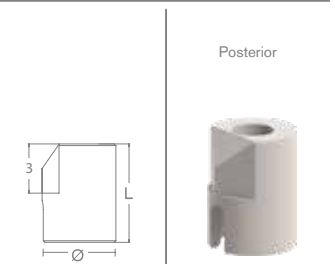
## Clicq-Scan™ Abutment Level Scan Body



<b>L</b>	10 mm
<b>Ø</b>	4.5 mm
<b>REF</b>	SBC-TBK-A
<b>Web ID</b>	4130124

See Page - 71

## Clicq-Scan™ Top Abutment Level Scan Body



<b>L</b>	6 mm
<b>Ø</b>	4.5 mm
<b>REF</b>	SBC-U
<b>Web ID</b>	4130121

See Page - 71

## Pre-Milled Titanium Blank



<b>H</b>	20.3 mm	20.3 mm
<b>L</b>	26.3 mm	26.3 mm
<b>Ø</b>	10 mm	10 mm
<b>REF</b>	PMAM-TS-RP	PMAM-TS-RPR
<b>Web ID</b>	1130811-272	1130821-272



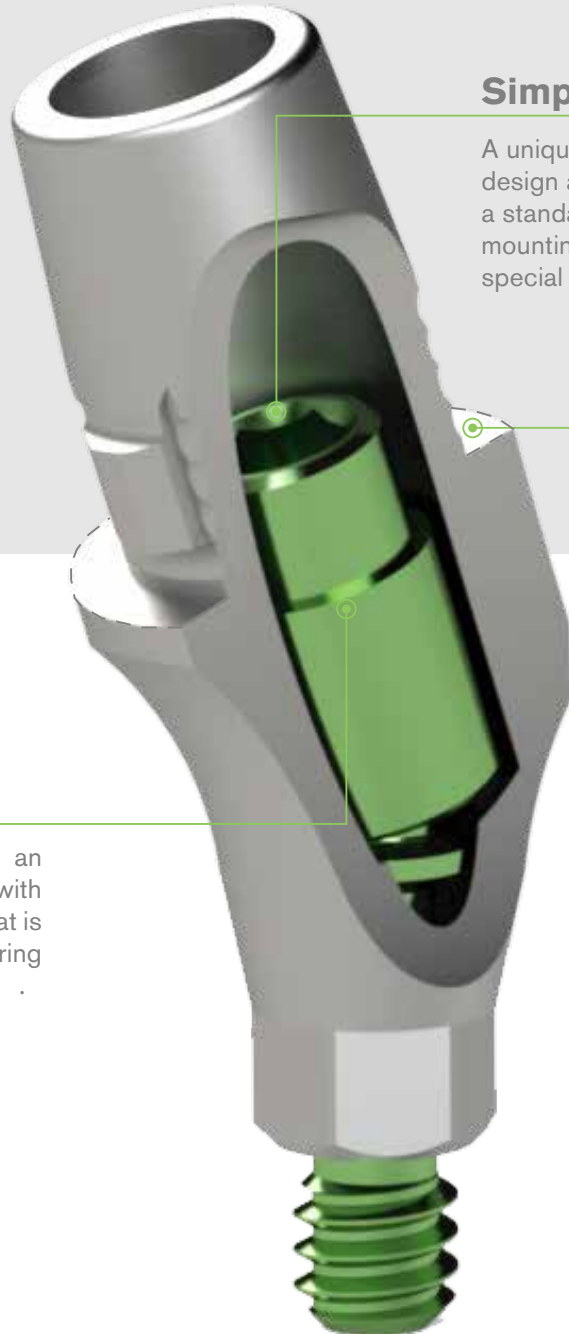
# Uni-Base™

## One Piece Ti-Base

- Straight Ti-Base
- Angled Ti-Base 20°
- Angled Ti-Base 20° Shape - Anterior

# Uni-Base™

## Characteristics



### Simplicity!

A unique architectural design allows for the use of a standard screwdriver when mounting the Uni-Base, no special tools necessary.

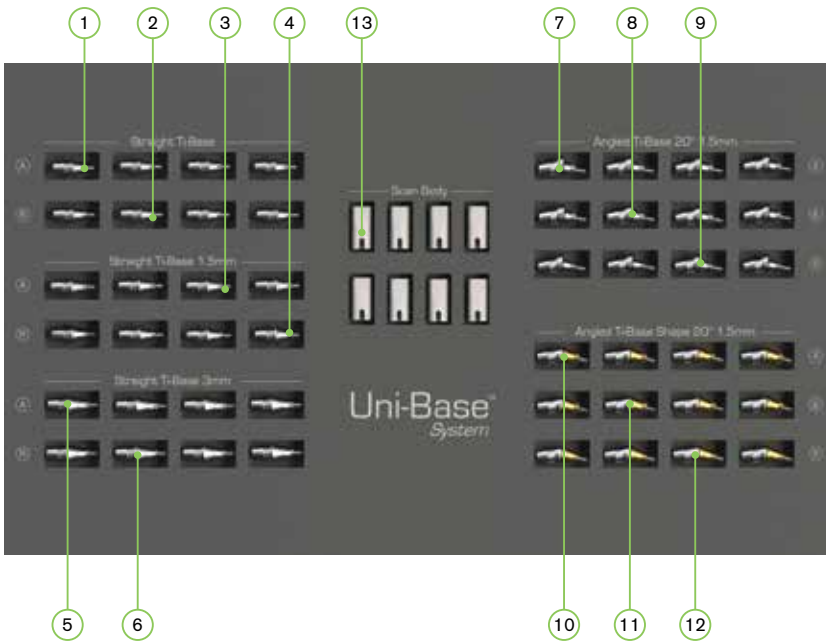
### Engineering!

Our Uni-Base features an exclusive mechanism with a built-in "joint-shaft" that is secured into place during the fabrication process .

### Innovation!

The flat surface of the shoulder makes for an angulated base that interacts with the implant system in the same manner as a non-angulated base, allowing laboratories to use standard CAD/CAM procedures during the milling process.

# Uni-Base™ Professional Kit



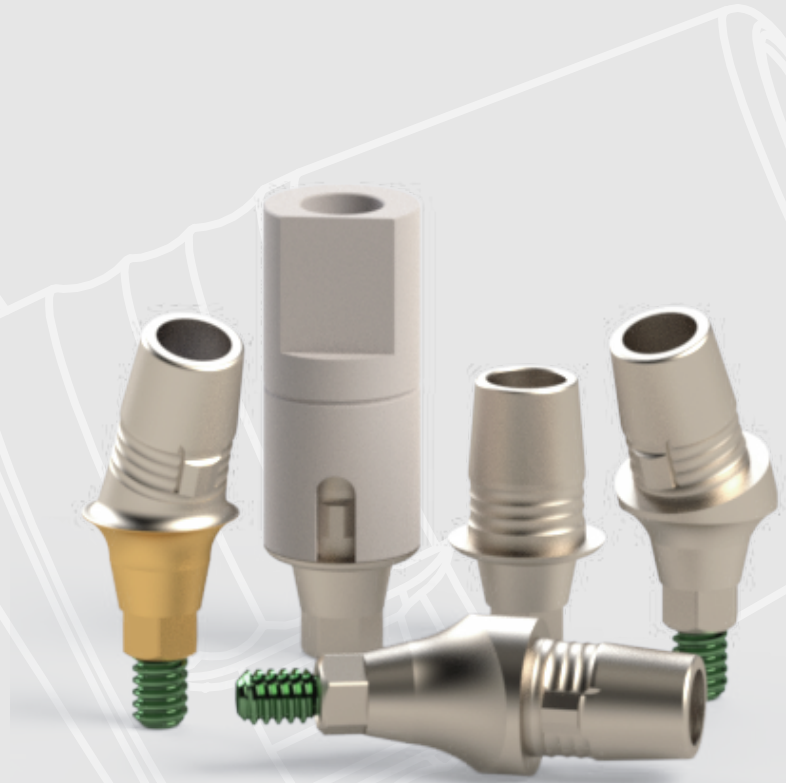
- 1 - Straight Ti-Base A
- 2 - Straight Ti-Base Rotational
- 3 - Straight Ti-Base 1.5mm A
- 4 - Straight Ti-Base 1.5mm Rotational
- 5 - Straight Ti-Base 3mm A
- 6 - Straight Ti-Base 3mm Rotational
- 7 - Angled Ti-Base 20° 1.5mm A
- 8 - Angled Ti-Base 20° 1.5mm B
- 9 - Angled Ti-Base 20° 1.5mm Rotational
- 10 - Angled Ti-Base 20° 1.5mm A - Shape
- 11 - Angled Ti-Base 20° 1.5mm B - Shape
- 12 - Angled Ti-Base 20° 1.5mm Rotational - Shape
- 13 - Scan Body

### Professional Kit

REF	TBC-TS-RPPK		
<b>Web ID</b>	1130725-272	TBC-TS-RP	- 4 pcs
		TBC-TS-RPR	- 4 pcs
		TBC-TS-RP15	- 4 pcs
		TBC-TS-RP15R	- 4 pcs
		TBC-TS-RP30	- 4 pcs
		TBC-TS-RP30R	- 4 pcs
		TBC-TS-RP2015A	- 4 pcs
		TBC-TS-RP2015B	- 4 pcs
		TBC-TS-RP2015R	- 4 pcs
		TBC-TS-RP2015UA	- 4 pcs
		TBC-TS-RP2015UB	- 4 pcs
		TBC-TS-RP2015UR	- 4 pcs
		SBC-TBK-A	- 8 pcs

# Uni-Base™

## Straight Titanium Bases



### Uni-Base™ - Straight Ti-Base

	<b>H</b>	0.8 mm	1.5 mm	3 mm
	<b>C</b>	4.7 mm	4.7 mm	4.7 mm
	<b>Ø</b>	4.5 mm	4.5 mm	4.5 mm
<b>REF</b>	TBC-TS-RP	TBC-TS-RP15	TBC-TS-RP30	
<b>Web ID</b>	1130691-272	1130692-272	1130693-272	

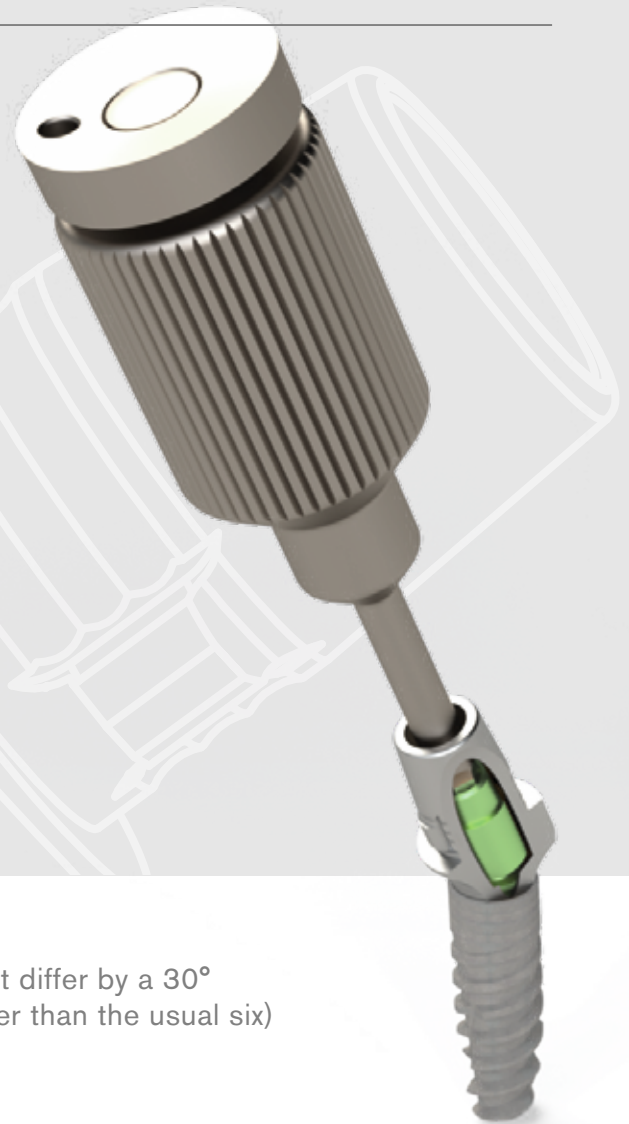
### Uni-Base™ - Straight Ti-Base - Rotational

	<b>H</b>	0.8 mm	1.5 mm	3 mm
	<b>C</b>	4.7 mm	4.7 mm	4.7 mm
	<b>Ø</b>	4.5 mm	4.5 mm	4.5 mm
<b>REF</b>	TBC-TS-RPR	TBC-TS-RP15R	TBC-TS-RP30R	
<b>Web ID</b>	1130696-272	1130697-272	1130698-272	

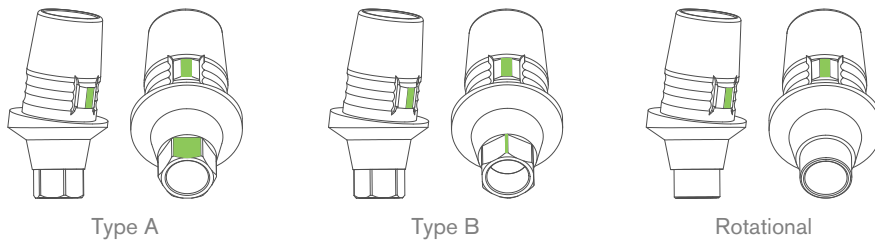
# Uni-Base™

## Angled Titanium Bases 20°

Patent Pending US 63013564



**Angled Ti-Base Types:** Two internal hex orientations that differ by a 30° rotation around the base provide an option of twelve (rather than the usual six) placement orientations in the mouth.



### Angled Ti-Base 20°

	Type A	Type B	Rotational
<b>H/G</b>	1.5 mm / 3 mm	1.5 mm / 3 mm	1.5 mm / 3 mm
<b>L</b>	7 mm	7 mm	7 mm
<b>Ø</b>	4.5 mm	4.5 mm	4.5 mm
<b>REF</b>	TBC-TS-RP2015A	TBC-TS-RP2015B	TBC-TS-RP2015R
<b>Web ID</b>	1130726-272	1130731-272	1130736-272



# Uni-Base™ Shape

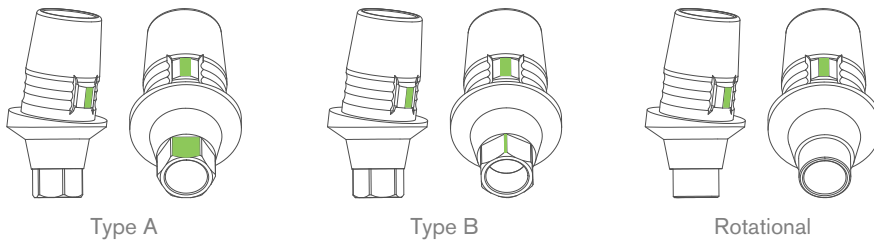
## Angled Titanium Bases 20°

- Anterior -

Patent Pending US 63013564



**Angled Ti-Base Types:** Two internal hex orientations that differ by a 30° rotation around the base provide an option of twelve (rather than the usual six) placement orientations in the mouth.

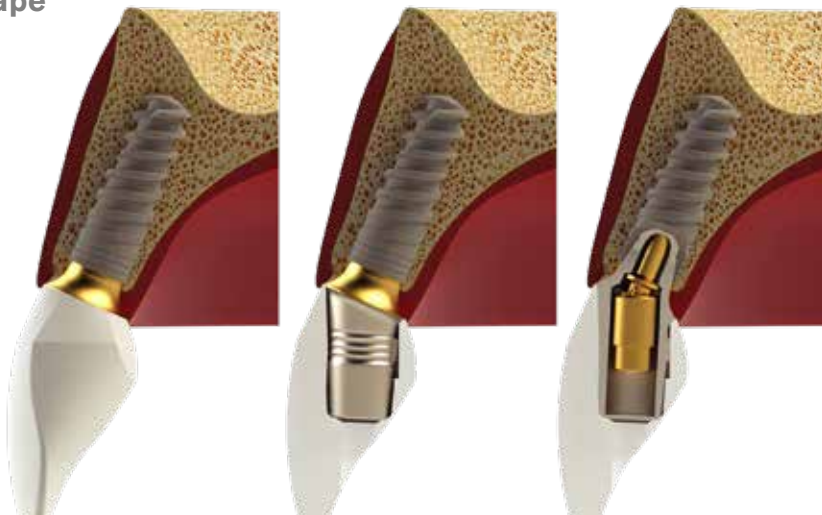


### Angled Titanium Base 20°

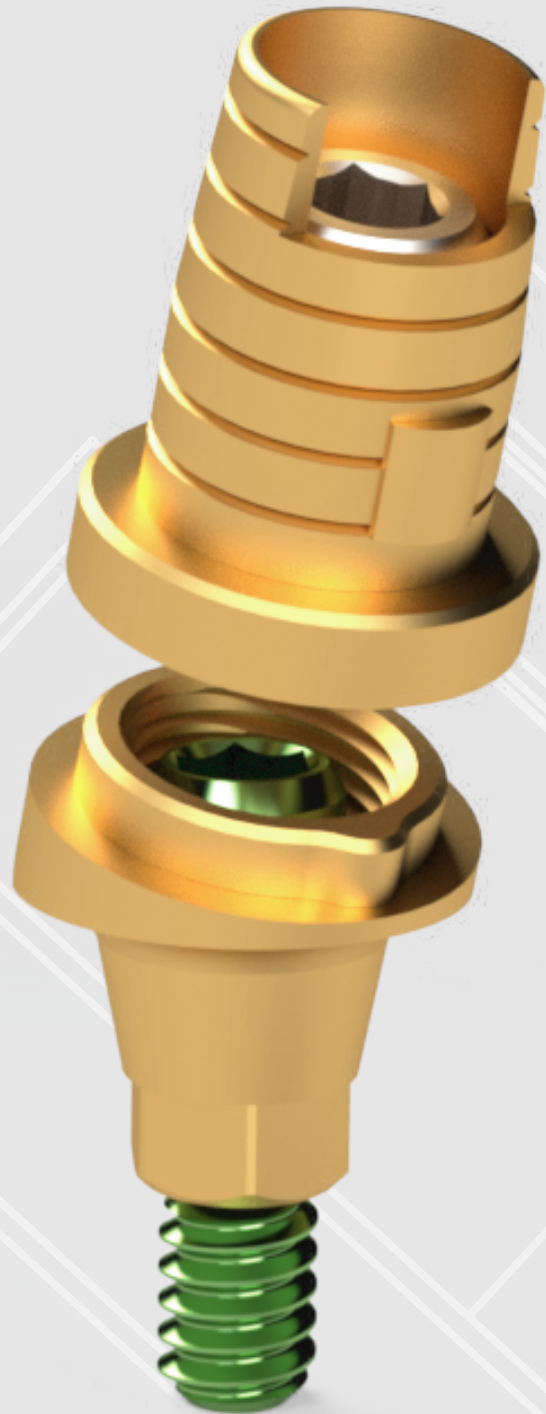
	Type A	Type B	Rotational
			
<b>C1/C2</b>	6 mm / 5 mm	6 mm / 5 mm	6 mm / 5 mm
<b>H/G</b>	1.5 mm / 1.5 mm	1.5 mm / 1.5 mm	1.5 mm / 1.5 mm
<b>Ø</b>	4.5 mm	4.5 mm	4.5 mm
<b>REF</b>	TBC-TS-RP2015UA	TBC-TS-RP2015UB	TBC-TS-RP2015UR
<b>Web ID</b>	1130729-272	1130734-272	1130739-272

### Uni-Base™ Shape

#### Anterior







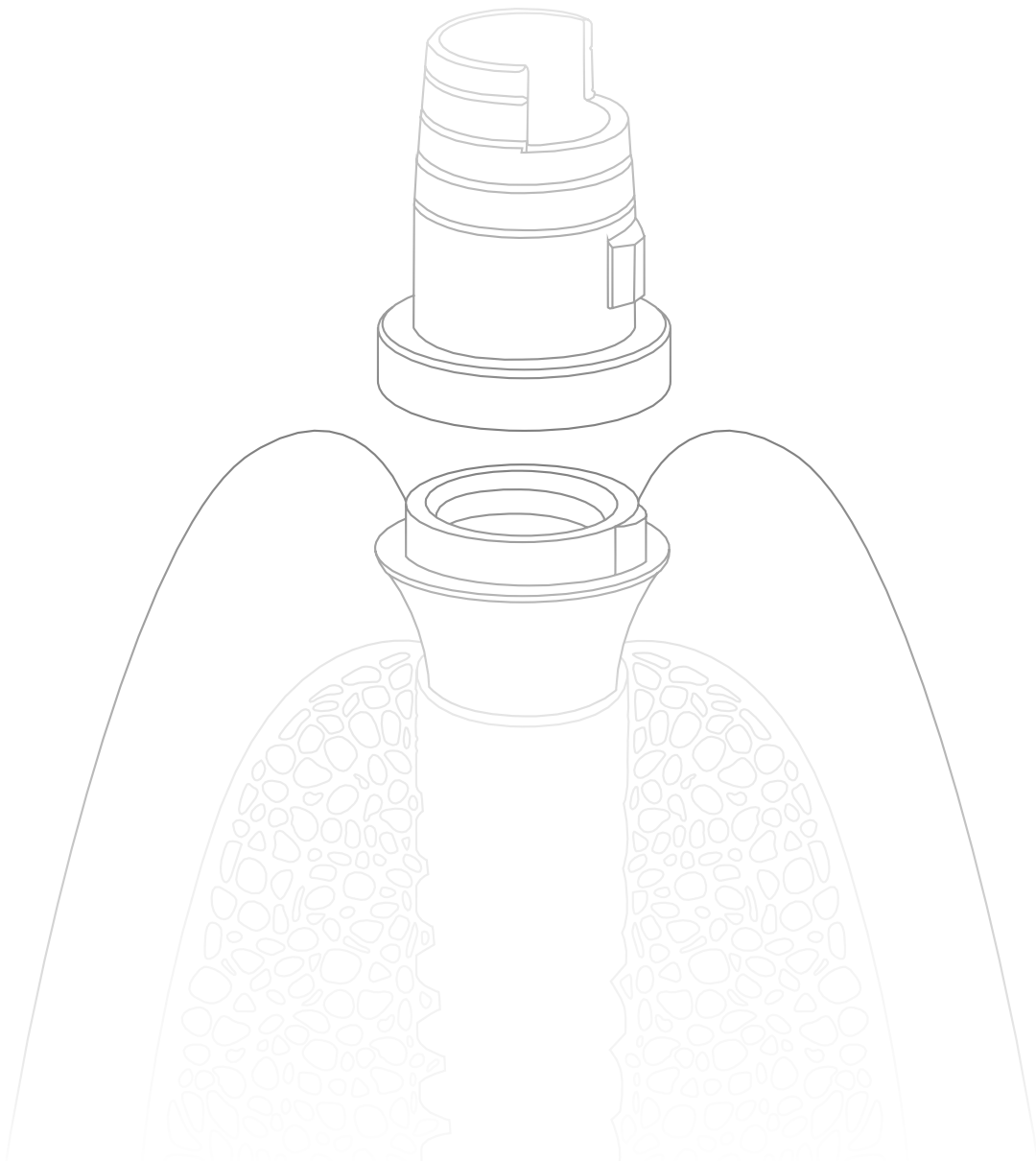
# Clicq-Base™

## 2 Piece Ti-Base

- Straight Ti-Base
- Angled Ti-Base 15° & 25°
- Components

## Clicq-Base™ Introduction

The advanced design of dibay's Ti-Base offers a never before seen functionality in the implant platform and facilitates a prosthetic system defined by strength, stability and longevity. With the potential for indexed, repeatable placement of the connection in a single position, the Ti-Base ensures accuracy and precision throughout the implant procedure, all the while preventing any disturbances to the peri-implant seal. The interface's close proximity to surrounding dense soft tissue serves as a biological seal against bacteria and prevents any micromovements or microleakage that can lead to crestal bone loss.



# Clicq-Base™ Connection

## Ergonomics and Angulation A Breakthrough Ti-Base Design

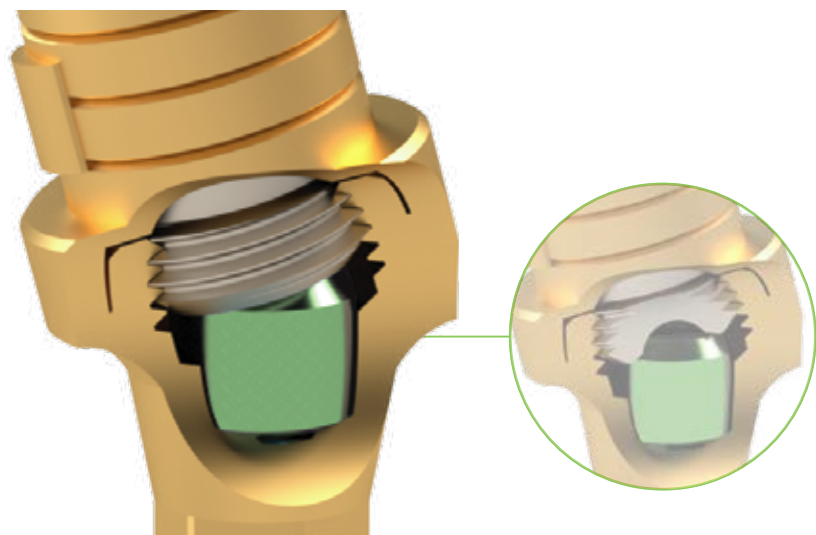


**B** Both the base and sleeve feature an alignment notch that facilitates easy and hassle-free mounting. Simply screw the unit's sleeve onto the base until the two notches are aligned and the two pieces lock into place.



**A** This convenient two-piece Ti-Base facilitates implant restoration without removal of the entire unit, protecting the implant site from undesirable microflora and risk of infection. The upper sleeve of the unit is removable and can be substituted with a healing cap.

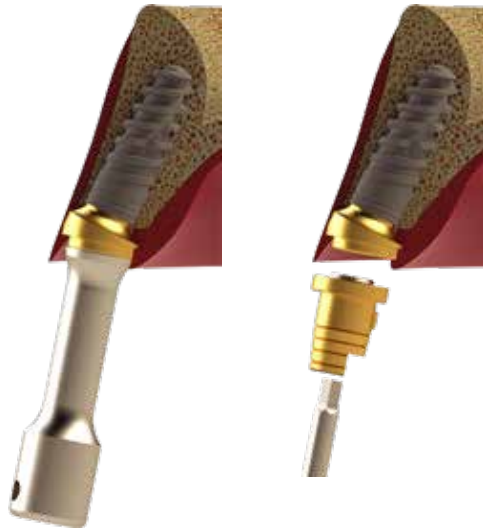
**C** Our Ti-Base features two internal, built-in screws that are secured into place during the fabrication process. This architectural design allows for use of a standard screw driver when mounting the Ti-Base, no special tools necessary.



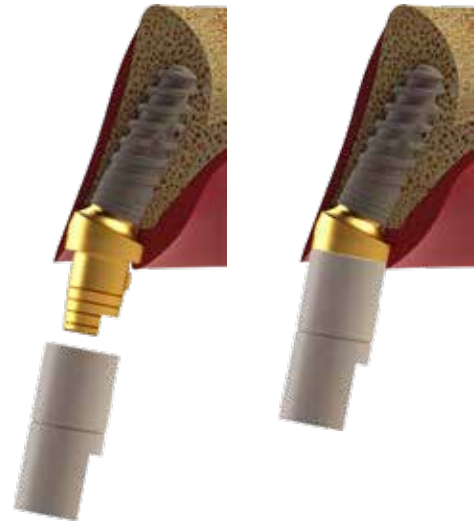
## Clicq-Base™

### Step by Step - Anterior

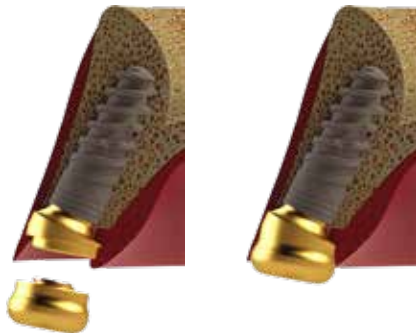
- 01** A carrier is used to place the base into the implant and maintain the connection's position while screwing it into place. Using a standard hex drivescrew sleeve is screwed onto the base until the locking mechanism is activated, which occurs when the two notches on the sleeve and connection are aligned. Recommended tightening torque: 10 Ncm



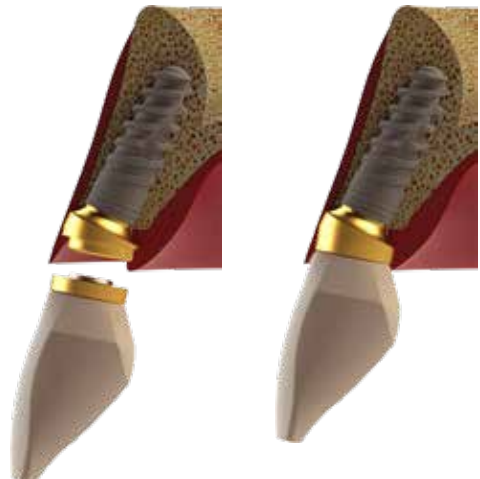
- 02** The scanbody snaps onto the titanium sleeve in a single position. After the scanbody is attached to the sleeve, the apparatus is ready for intraoral scanning.



- 03** A healing cap or temporary crown should be used on the Ti-Base until healing of the surrounding tissue is complete. When using a healing cap, recommended tightening torque is 12 Ncm.

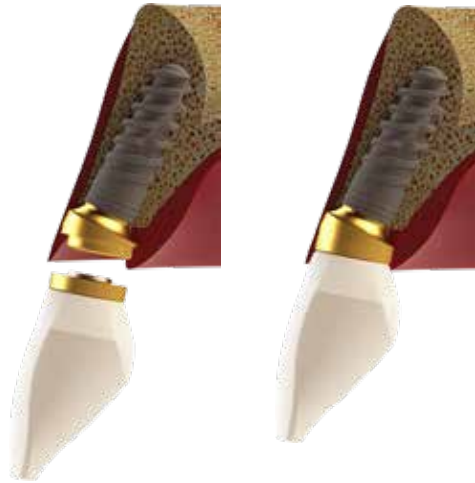


- 04** When using a temporary crown on the Ti-Base during tissue healing, recommended tightening torque is 30 Ncm.

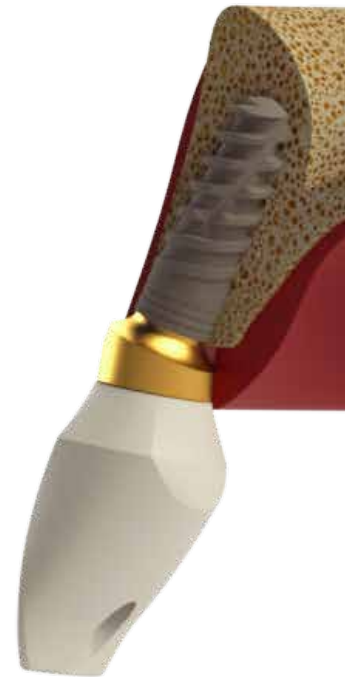


## Clicq-Base™ Step by Step - Anterior

- 05** Once healing is complete, the permanent crown can be mounted. The final crown is equipped with a screw channel to affix to the Ti-Base for a screw-retained concept that provides maximal strength and retention. Recommended tightening torque: 30 Ncm



- This is how the final and complete restoration appears once the permanent crown has been attached.



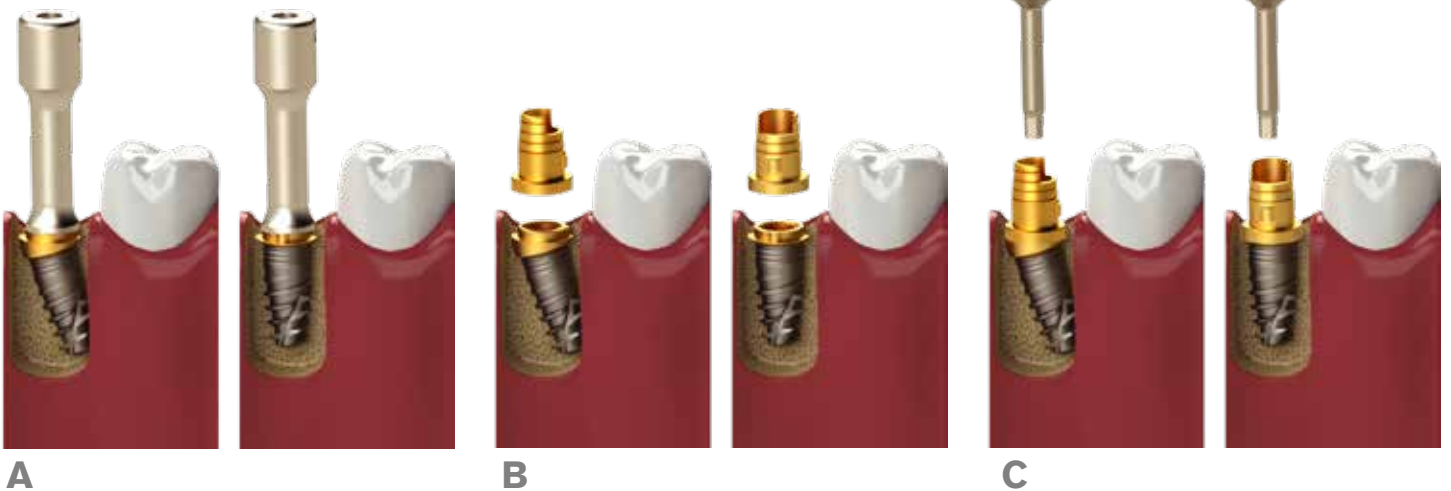
- 06** The final angled restoration is composed entirely of straight screws, with the angulation occurring only in the connection itself, which guarantees unwavering stability.



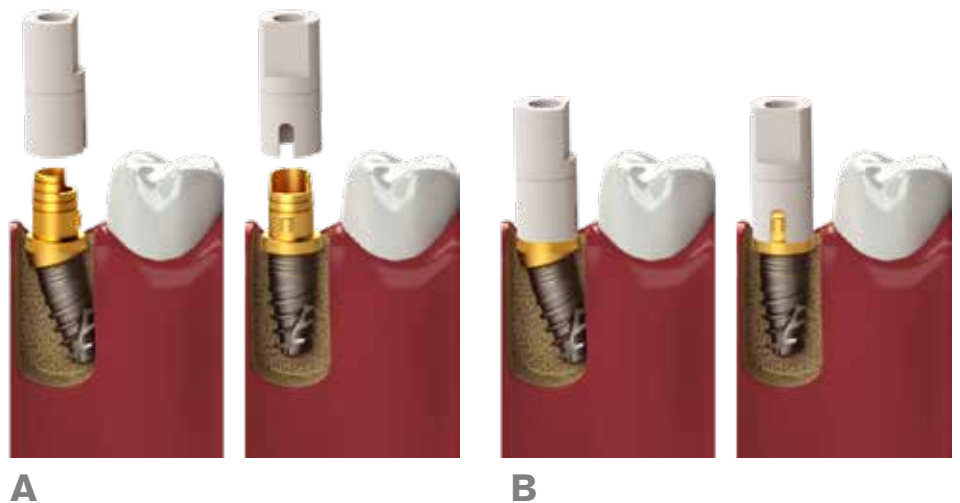
## Clicq-Base™

### Step by Step - Posterior

- 01** A carrier is used to place the base into the implant and maintain the connection's position while screwing it into place. Using a standard screwdriver, the sleeve is screwed onto the base until the locking mechanism is activated, which occurs when the two notches on the sleeve and connection are aligned. Recommended tightening torque: 10 Ncm



- 02** The scanbody snaps onto the titanium sleeve in a single position. After the scanbody is attached to the sleeve, the apparatus is ready for intraoral scanning.





# Clicq-Base™

## Step by Step - Posterior

**03**

A healing cap or temporary crown should be used on the Ti-Base until healing of the surrounding tissue is complete. When using a healing cap, recommended tightening torque is 12 Ncm.



**A**

**B**

**04**

When using a temporary crown on the Ti-Base during tissue healing, recommended tightening torque is 30 Ncm.



**A**

**B**



**05**

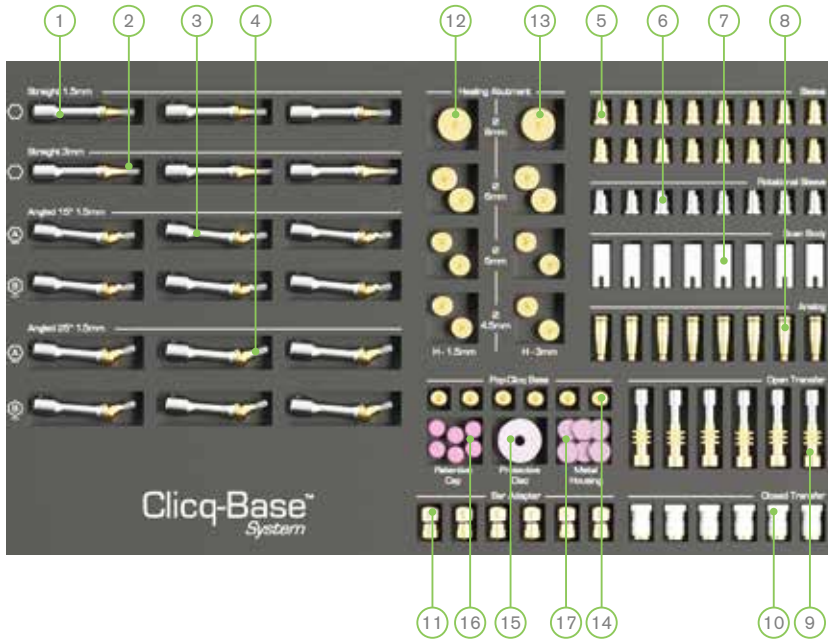
Once healing is complete, the permanent crown can be mounted. The final crown is equipped with a screw channel to affix to the Ti-Base for a screw-retained concept that provides maximal strength and retention. Recommended tightening torque: 30 Ncm.



**A**

**B**

# Clicq-Base™ Professional Kit



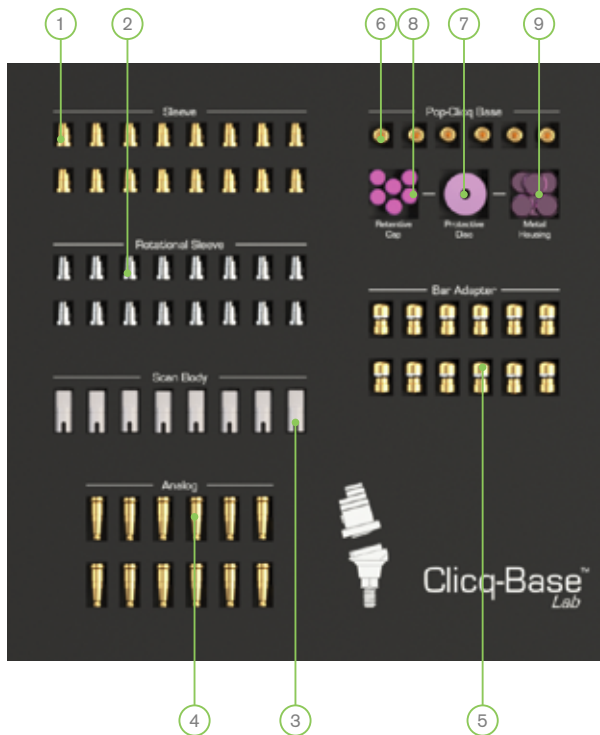
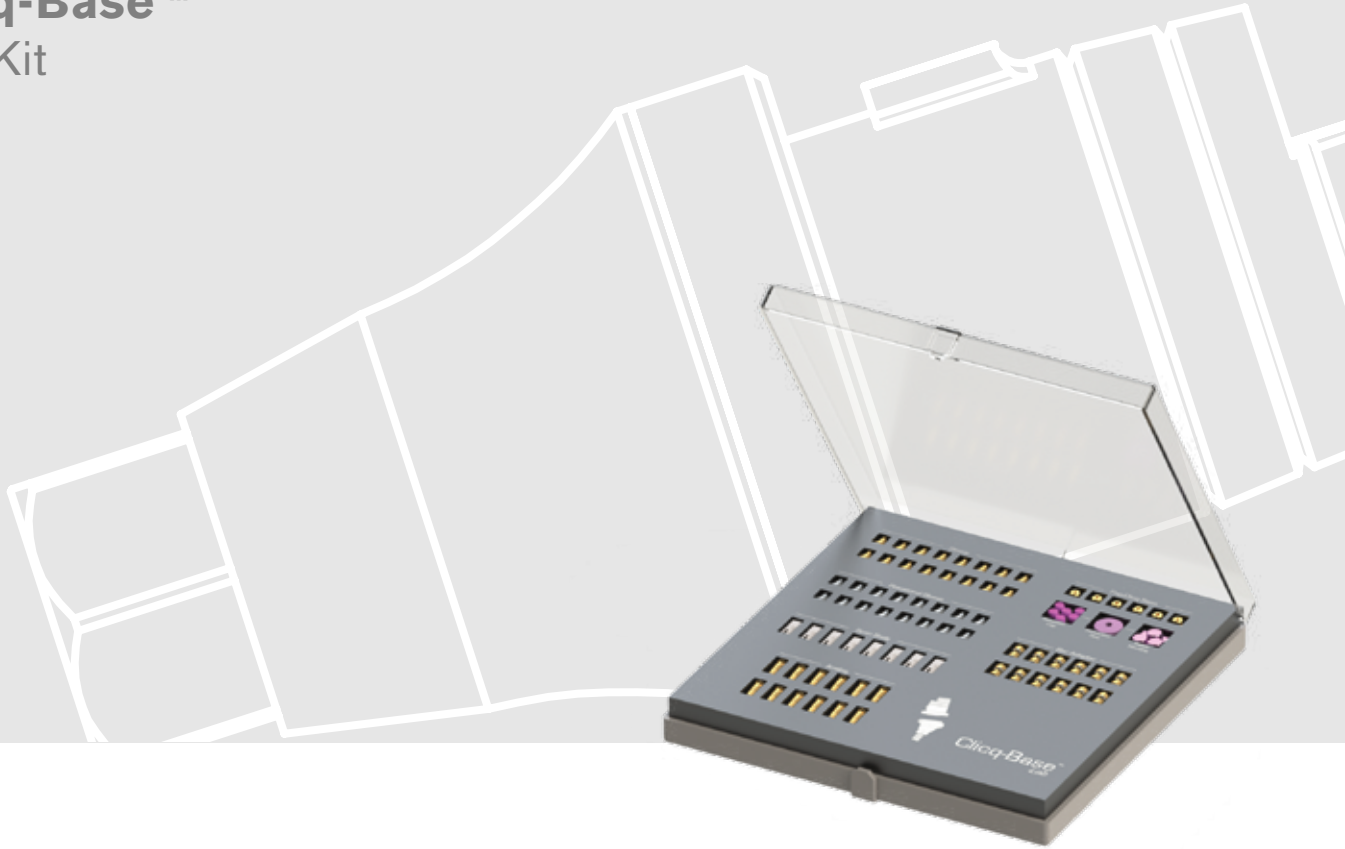
- 1 - Straight Ti-Base H 1.8mm
- 2 - Straight Ti-Base H 3mm
- 3 - Angled Ti-Base 15° H 2mm Type A & B
- 4 - Angled Ti-Base 25° H 2mm Type A & B
- 5 - Clicq-Base™ Ti-Sleeve
- 6 - Rotational Clicq-Base™ Ti-Sleeve
- 7 - Clicq-Scan™
- 8 - Clicq-Base™ Digital Analog
- 9 - Clicq-Base™ Open Transfer
- 10 - Clicq-Base™ Closed Transfer
- 11 - Clicq Multi Base™ Bar Adapter
- 12 - Clicq-Base™ Healing Cap - Short
- 13 - Clicq-Base™ Healing Cap - Long
- 14 - Pop-Clicq Base™ Overdenture
- 15 - Protective Disc
- 16 - Retentive Cap
- 17 - Metal Housing

### Professional Kit

REF	TBK-TS-RPPK		
<b>Web ID</b>	1130785-272		
		TBK-TS-RP15	- 3 pcs
		TBK-TS-RP30	- 3 pcs
		TBK-TS-RP1515A	- 3 pcs
		TBK-TS-RP1515B	- 3 pcs
		TBK-TS-RP2515A	- 3 pcs
		TBK-TS-RP2515B	- 3 pcs
		TBK-TBUG	- 16 pcs
		TBK-TBRUG	- 8 pcs
		SBC-TBK-A	- 8 pcs
		TBK-AN	- 8 pcs
		TBK-OTUG	- 6 pcs
		TBK-PUPUG	- 6 pcs
		TBK-BADPUG	- 6 pcs
		TBK-HA-SNUG	- 2 pcs
		TBK-HA-SUG	- 2 pcs
		TBK-HA-SWUG	- 2 pcs
		TBK-HA-SEWUG	- 1 pcs
		TBK-HA-LNUG	- 2 pcs
		TBK-HA-LUG	- 2 pcs
		TBK-HA-LWUG	- 2 pcs
		TBK-HA-LEWUG	- 1 pcs
		TBK-LOCW-UG	- 6 pcs
		LOCW-RCP	- 6 pcs
		LOCW-PD	- 6 pcs
		LOCW-MH	- 6 pcs



# Clicq-Base™ Lab Kit



- 1 - Clicq-Base™ Ti-Sleeve
- 2 - Rotational Clicq-Base™ Ti-Sleeve
- 3 - Clicq-Scan™
- 4 - Clicq-Base™ Digital Analog
- 5 - Clicq Multi Base™ Bar Adapter
- 6 - Pop-Clicq Base™ Overdenture Attachment
- 7 - Protective Disc
- 8 - Retentive Cap
- 9 - Metal Housing

### Lab Kit

REF	TBK-LABK-UG		
		TBK-TBUG	- 16 pcs
		TBK-TBRUG	- 16 pcs
		SBC-TBK-A	- 8 pcs
		TBK-AN	- 12 pcs
		TBK-BADPUG	- 12 pcs
		TBK-LOCW-UG	- 6 pcs
		LOCW-RCP	- 6 pcs
		LOCW-PD	- 6 pcs
		LOCW-MH	- 6 pcs
<b>Web ID</b>	4510711		

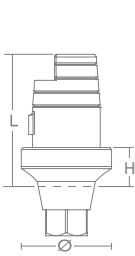
# Clicq-Base™

## Straight Titanium Base

- 2 Pcs -

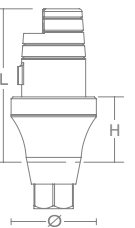


### Straight Ti-Base H 1.8mm



<b>H</b>	1.8 mm
<b>L</b>	6.5 mm
<b>Ø</b>	4.5 mm
<b>REF</b>	TBK-TS-RP15
<b>Web ID</b>	1130742-272

### Straight Ti-Base H 3mm



<b>H</b>	3 mm
<b>L</b>	7.7 mm
<b>Ø</b>	4.5 mm
<b>REF</b>	TBK-TS-RP30
<b>Web ID</b>	1130743-272



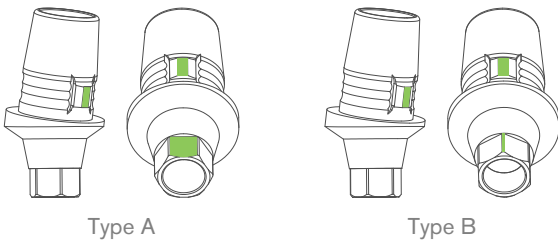
# Clicq-Base™

## Angled Titanium Base 15°/25°

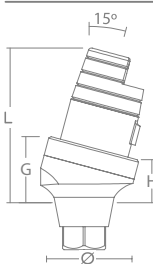


- 2 Pcs -



**Angled Ti-Base Types:** Two internal hex orientations that differ by a 30° rotation around the base provide an option of twelve (rather than the usual six) placement orientations in the mouth.

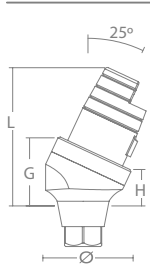




### Angled Ti-Base 15° H 1.8mm

	Type A	Type B
		
<b>H/G</b>	1.8 mm / 3 mm	1.8 mm / 3 mm
<b>L</b>	7.2 mm	7.2 mm
<b>Ø</b>	4.5 mm	4.5 mm
<b>REF</b>	TBK-TS-RP1515A	TBK-TS-RP1515B
<b>Web ID</b>	1130751-272	1130756-272

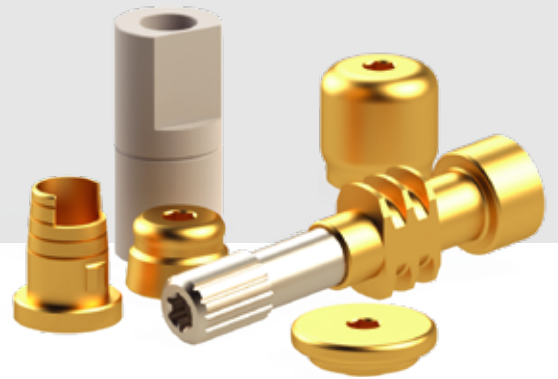


### Angled Ti-Base 25° H 1.8mm

	Type A	Type B
		
<b>H/G</b>	1.8 mm / 3.5 mm	1.8 mm / 3.5 mm
<b>L</b>	7.5 mm	7.5 mm
<b>Ø</b>	4.5 mm	4.5 mm
<b>REF</b>	TBK-TS-RP2515A	TBK-TS-RP2515B
<b>Web ID</b>	1130766-272	1130771-272



# Clicq-Base™ Components



## Full Digital Solutions - Intra-Oral Scanning

Do Not Use With Rotational Clicq-Base™ Ti-Sleeve

### Clicq-Base™ Ti-Sleeve

	Rotational	
<b>C</b>	4.7 mm	4.7 mm
<b>Ø</b>	4.5 mm	4.5 mm
<b>REF</b>	TBK-TBUG	TBK-TBRUG
<b>Web ID</b>	4510511	4510513

### Clicq-Scan™ Abutment Level Scan Body

<b>L</b>	10 mm
<b>Ø</b>	4.5 mm
<b>REF</b>	SBC-TBK-A
<b>Web ID</b>	4130124

### Clicq-Scan™ Top Abutment Level Scan Body

	Posterior	
<b>L</b>	6 mm	
<b>Ø</b>	4.5 mm	
<b>REF</b>	SBC-U	
<b>Web ID</b>	4130121	

### Clicq-Base™ Digital Analog

<b>L</b>	10 mm
<b>Ø</b>	4.5 mm
<b>REF</b>	TBK-AN
<b>Web ID</b>	4130011

## Semi Digital Solutions - Manual Impression & Lab Model Scanning

### Clicq-Base™ Closed Transfer

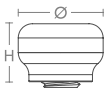


<b>L</b>	8 mm
<b>Ø</b>	4.5 mm
<b>REF</b>	TBK-PUPUG
<b>Web ID</b>	4510331

### Clicq-Base™ Open Transfer



<b>L1/L2</b>	8 mm / 10 mm
<b>Ø</b>	4.5 mm
<b>REF</b>	TBK-OTUG
<b>Web ID</b>	4510411

# Clicq-Base™ Components

## Clicq-Base™ Healing Cap - Short

				
<b>H</b>	1.5 mm	1.5 mm	1.5 mm	1.5 mm
<b>Ø</b>	4.5 mm	5 mm	6 mm	8 mm
<b>REF</b>	TBK-HA-SNUG	TBK-HA-SUG	TBK-HA-SWUG	TBK-HA-SEWUG
<b>Web ID</b>	4510211	4510217	4510221	4510231


## Clicq-Base™ Healing Cap - Long

				
<b>H</b>	3 mm	3 mm	3 mm	3 mm
<b>Ø</b>	4.5 mm	5 mm	6 mm	8 mm
<b>REF</b>	TBK-HA-LNUG	TBK-HA-LUG	TBK-HA-LWUG	TBK-HA-LEWUG
<b>Web ID</b>	4510215	4510219	4510225	4510235

## Overdenture Solutions -

For Clicq-Multi Base™ Bar & Overdenture Attachments

### Pop-Clicq Base™ Overdenture Attachment

		<b>Mini Kit - Content</b>	
<b>H1/H2</b>	1.5 mm / 0.8 mm	TBK-LOCW-UG	- 1 pcs
<b>Ø</b>	4.5 mm	LOCW-MH	- 1 pcs
<b>REF</b>	TBK-LOCW-UG	LOCW-RCB	- 1 pcs
<b>Web ID</b>	4510561	LOCW-RCY	- 1 pcs
		LOCW-RCP	- 1 pcs
		LOCW-RCT	- 1 pcs
		LOCW-PD	- 1 pcs

“

**A SMILE IS  
HAPPINESS  
YOU'LL FIND  
RIGHT UNDER  
YOUR NOSE.**

Tom Wilson

”



# Clicq-Multi Base™

## On-X

The intelligently designed adjustable adapter system  
for milled bar overdentures

# The Intelligently Designed Adjustable Adapter System

## For Milled Bar Overdentures

The first of its kind to feature an intrinsic mechanism that corrects any dimensional inaccuracies in laboratory-milled overdenture bars, the Clicq Multi-Base™ On X is the ideal solution for placement of milled bar overdentures. Despite accurate oral scans, milled bars are often returned from the laboratory with an impactful level of dimensional deviation, causing misalignment of the implant components and resulting in lack of prosthesis stability. Using a uniquely designed ball attachment that expands during the screw tightening process, the system's adapters are able to modify their positioning with respect to the implant base and overdenture, allowing for a secure fit in the patient's mouth.





## Clicq-Multi Base™ On X

The intelligently designed adjustable adapter system for milled bar overdentures

### Step by Step

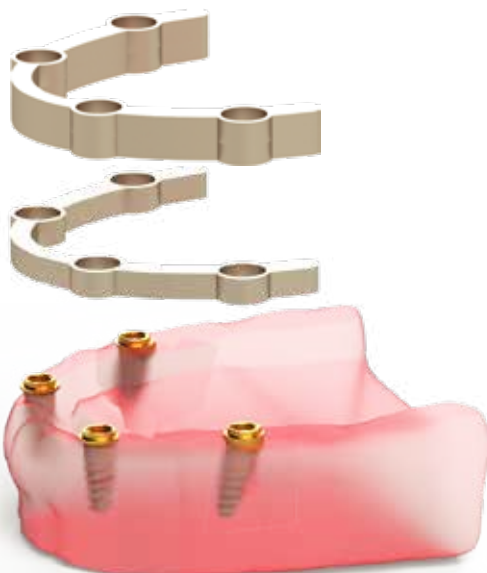
- 01** A carrier is used to facilitate easy insertion of the base into the implant. The base should be placed in the desired straight or angled orientation on top of the implant and then screwed into position using a screwdriver.



- 02** The base adapters are then screwed into the implant base. Scanbodies can then be attached to the adapters, at which point the apparatus is ready for intraoral scanning.



- 03** The milled bar that is received back from the laboratory is reflective of the scans taken, with a single hole aligned above the position and at the respective angle of each base in the implant.



- 04** To begin the final restoration process, the base adapters should be screwed onto the implant bases using a screwdriver.

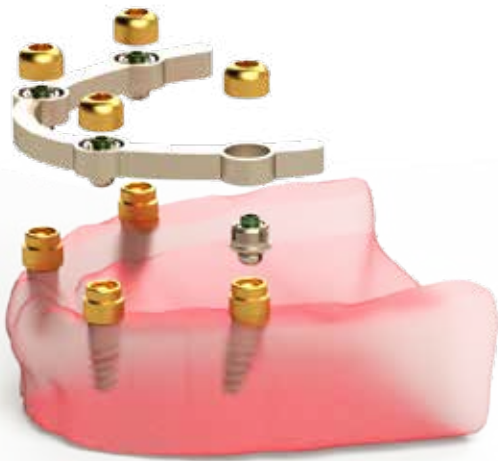


## Clicq-Multi Base™ On X

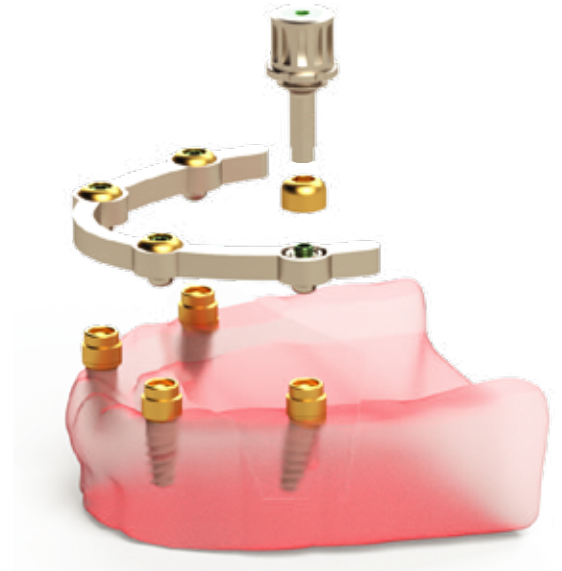
The intelligently designed adjustable adapter system for milled bar overdentures

### Step by Step

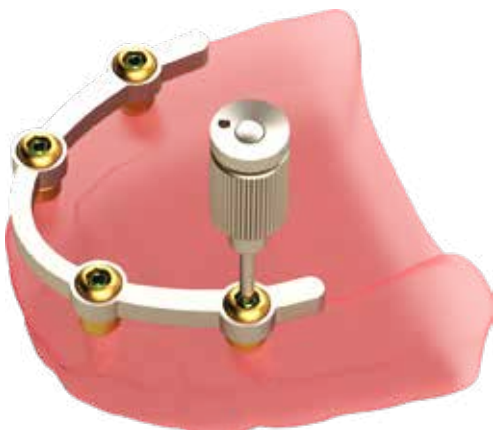
- 05** To attach the bar adapters to the overdenture bar, one ball attachment and one cap will be needed for each of the holes of the bar.



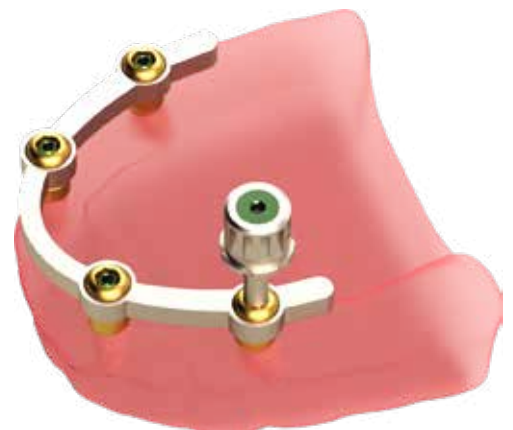
- 06** Place a ball attachment below a hole in the overdenture bar and a cap above the hole. Insert a 2.5mm hex screwdriver into the top of the cap and rotate twice so as to lightly attach the two parts but not tighten them entirely. This loose attachment is crucial, as it allows the ball mechanism to properly align the overdenture bar in the mouth, correcting any micro-defects in the positioning and angulation of the holes of the bar, which are a common result of the milling process. Repeat this step for each of the remaining holes of the bar.



- 07** Place the bar over the implant so that the bar and base adapters are aligned. Using a 1.25mm hex screwdriver, complete the fastening of the overdenture bar to the implants. When the green screw inside of the bar adapter is tightened, this will cause the ball mechanism that sits inside of the base to expand, securing the overdenture bar into place.



- 08** Once the overdenture bar is properly aligned, a final tightening with a 2.5 mm hex screwdriver will complete the restoration.



# Clicq-Multi Base™ On X

The intelligently designed adjustable adapter system for milled bar overdentures

## Step 05 to 08 by Section View



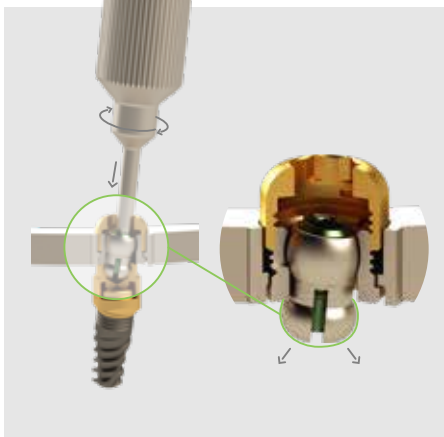
**A** The Clicq Multi-Base™ On X system is composed of three parts: the base adapter, which attaches directly to the implant base, and then the bar adapter and cap, which attach to the overdenture bar. The ball attachment, which is located on the underside of the bar adapter, is the expanding mechanism that is responsible for securing the overdenture bar to the implant in the correct position desired.

**B** To fasten the overdenture bar to the implant, a smaller 1.25mm hex screwdriver is first used to expand the internal ball mechanism and fix the two parts together. A larger 2.5mm hex screwdriver can then be used to lock the connection and stably secure the bar to the implant. The overdenture bar with its locked adapters can then be easily removed and inserted by loosening only the smaller connection with the 1.25mm driver.

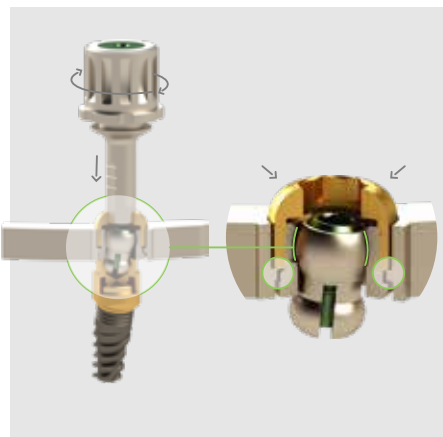
The design of the Clicq Multi-Base™ On X's allows for an angulation correction of the overdenture bar to implant base connection up to 5°. This correction occurs after insertion and securing of the bar to the base. To remove the overdenture bar containing an angled connection, insert the 1.25mm driver into the screw at the same angle as the connection and loosen.



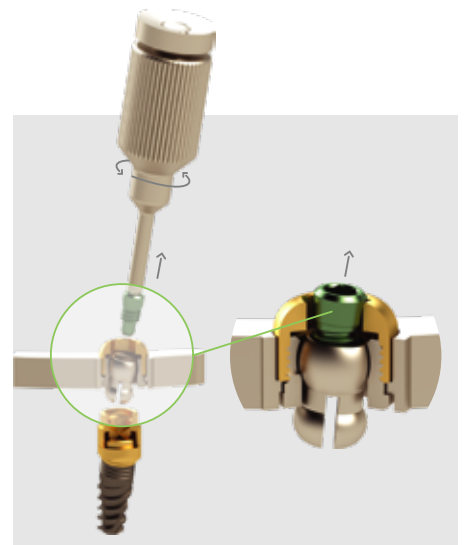
### **C** How the bar locking mechanism works



A screwdriver is used to activate the ball-locking mechanism, fixing the base adapter to the overdenture bar.



A larger screwdriver can then be used to tighten the bar adapter and lock it to the overdenture bar at a selected angulation. This locked position between adapter and bar is retained until the external system is unscrewed.

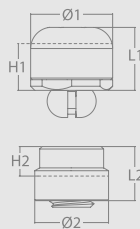


Once both screws have been tightened and the system has been locked, the angulation memory of the locking mechanism permits the overdenture bar to be easily removed from and inserted into the mouth using the smaller driver.

# Clicq-Multi Base™ On-X

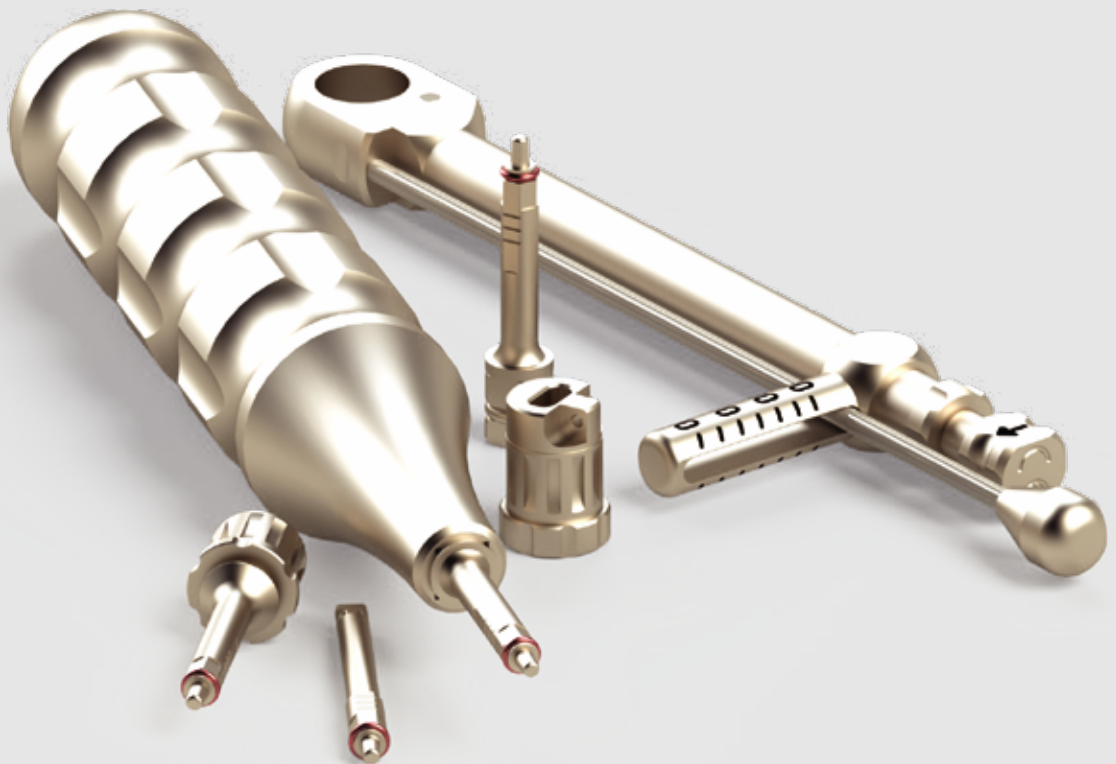


## Clicq Multi Base™ Bar Adapter



<b>L1/L2</b>	3.85 mm / 3.3 mm
<b>H1/H2</b>	2.85 mm / 1.8mm
<b>Ø1/Ø2</b>	5 mm / 4.5mm
<b>REF</b>	TBK-BADPUG
<b>Web ID</b>	4510651

# 7



## Surgical Instruments

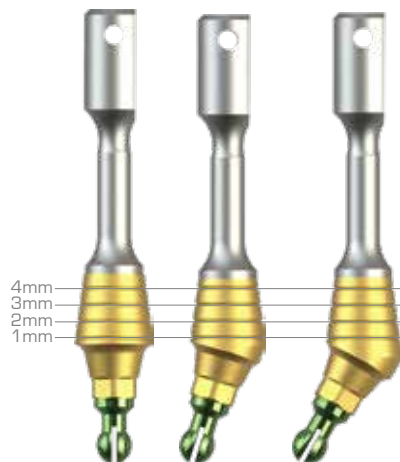
- Gauge Indicator Kit
- Surgical Tool Box
- Drills / Burs / Stoppers
- Implant Drivers
- Screwdrivers
- Ratchet / Ratchet Adapter / Parallel Pin

# Gauge Indicators

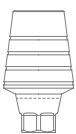


### Abutment Gauge Kit (3 PCS)

<b>REF</b>	AG-TS-RPK
<b>Web ID</b>	1130831-272
Abutment Gauge Straight	- 1 pcs
Abutment Gauge Angled 17°	- 1 pcs
Abutment Gauge Angled 30°	- 1 pcs

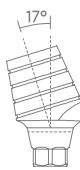


### Abutment Gauge Straight



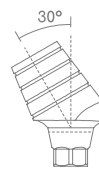
<b>REF</b>	AG-TS-RP00
<b>Web ID</b>	1130832-272

### Abutment Gauge - 17°



<b>REF</b>	AG-TS-RP1700
<b>Web ID</b>	1130833-272

### Abutment Gauge - 30°



<b>REF</b>	AG-TS-RP3000
<b>Web ID</b>	1130834-272



# Surgical Tool Box

## Components



Our surgical kits include a torque ratchet, unlike many other systems which provide you with a regular ratchet. Our kits also feature two sets of universal stoppers, which fit all drill diameters. Why two? First off, you don't have to take the stoppers on and off after each drilling, which saves time and is simply more convenient and safe. In addition, having two stopper sets allows you to have a backup; whether one gets misplaced or simply needs to be cleaned at the time of procedure, you'll always be able to move forward with your work. The drivers and drills in our kits are also color coded, which makes your work more organized and efficient. Our drills are coated with DLC, a wear-resistant, diamond-like carbon finish that enhances osteotomy drill control.



### Surgical Tool Box - iOS3/Fortis

<b>REF</b>	RSB-FR-SK
<b>Web ID</b>	7860141

#### Implant Drivers

Ratchet Driver for Implant:

RDIO-OS-RPS  
RDIO-OS-RPL  
RDIO-TS-RPS  
RDIO-TS-RPL

Motor Mount for Implant:

MDIO-OS-RPS  
MDIO-OS-RPL  
MDIO-TS-RPS  
MDIO-TS-RPL

#### Screw Drivers

Ratchet Driver for Screw:

RDS-SV-S  
RDS-SV-L

Motor Mount for Screw:

MDS-SV-L

Hand Driver for Screw:

HSDA-SV-S  
HSDA-SV-L

#### Drills & Tools

Lance Drill:

LD-2.0-06

Drill Extender:

DEXT

Twist Step Drills:

TSD-2.4-15  
TSD-2.7-15  
TSD-3.1-15  
TSD-3.7-15  
TSD-4.4-15

Hard Bone Drills:

HBD-3.5  
HBD-5.0

Stoppers for Twist Drills:

DSTD-13 \*2  
DSTD-11.5 \*2  
DSTD-10 \*2  
DSTD-8 \*2

Parallel Pin:

PPN \*3



Torque Ratchet 0-70 Ncm:

RT-70ST



# Surgical Drills & Stoppers



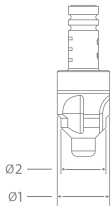


## Drill Extender

	
<b>L</b>	12.8 mm
<b>REF</b>	DEXT
<b>Web ID</b>	7750111

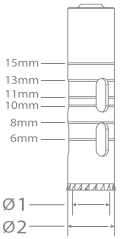


## Lance Drill

	
<b>L</b>	6 mm
<b>REF</b>	LD-2.0-06
<b>Web ID</b>	7110421

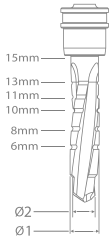





## Hard Bone Drills

		
<b>Ø1</b>	3.5 mm	5.0 mm
<b>Ø2</b>	3.0 mm	4.2 mm
<b>REF</b>	HBD-3.5-3.0	HBD-5.0-4.2
<b>Web ID</b>	7110311	7110321

## Trephine Burs

		
<b>Ø1</b>	3 mm	4 mm
<b>Ø2</b>	4 mm	5 mm
<b>REF</b>	TB-3.0-4.0	TB-4.0-5.0
<b>Web ID</b>	7110511	7110521

## Twist Step Drills

					
<b>Ø1</b>	2.4mm	2.7mm	3.1mm	3.7mm	4.4mm
<b>Ø2</b>	2.0mm	2.4 mm	2.7 mm	3.1 mm	3.7 mm
<b>REF</b>	TSD-2.4-15	TSD-2.7-15	TSD-3.1-15	TSD-3.7-15	TSD-4.4-15
<b>Web ID</b>	7110611	7110621	7110631	7110641	7110651

## Twist Step Drills

	For Implants in Lengths:				
	13mm	11.5mm	10mm	8mm	6.5mm
					
<b>REF</b>	DSTD-13	DSTD-11	DSTD-10	DSTD-8	DSTD-6
<b>Web ID</b>	7110219	7110217	7110215	7110213	7110211



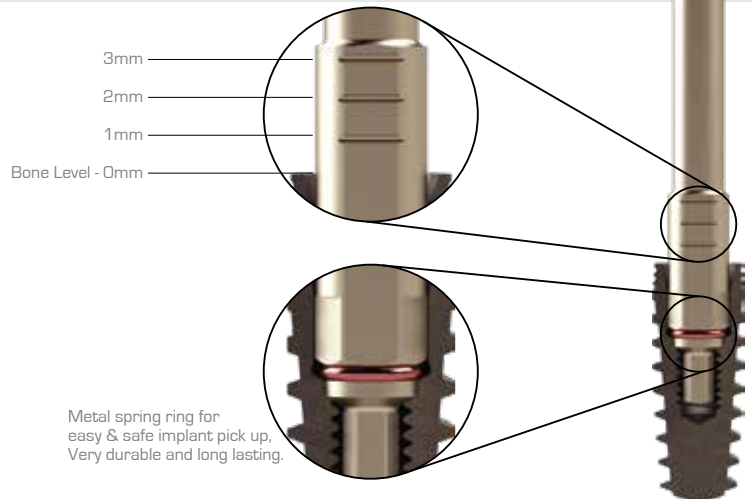


# Implant Drivers



## Motor Mount for Implant - Self Loading

	For Hex 2.5mm	
<b>L</b>	22 mm	28 mm
<b>REF</b>	MDIO-TS-RPS	MDIO-TS-RPL
<b>Web ID</b>	7530111-272	7530116-272



## Ratchet Driver for Implant - Self Loading

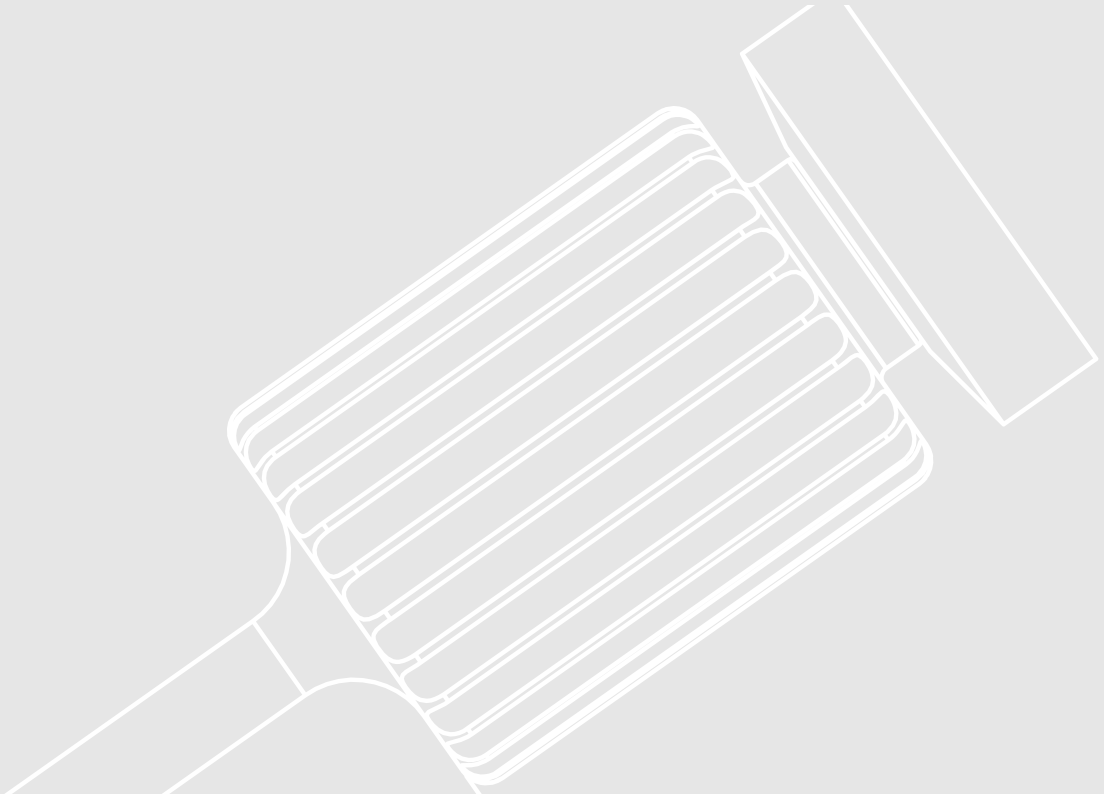
	For Hex 2.5mm	
<b>L</b>	12 mm	17 mm
<b>REF</b>	RDIO-TS-RPS	RDIO-TS-RPL
<b>Web ID</b>	7530123-272	7530126-272

## Ratchet Driver for Implant - Self Loading

	For Hex 2.5mm	
<b>L</b>	12 mm	17 mm
<b>REF</b>	TDIO-TS-RPS	TDIO-TS-RPL
<b>Web ID</b>	7530131-272	7530133-272

\* for HDR Hand Driver or Square Ratchet Driver

# Screwdrivers



## Hand Screwdriver

	1.25 mm		
<b>L</b>	10 mm	15 mm	30 mm
<b>REF</b>	HSDA-SV-S	HSDA-SV-L	HSDA-SV-XL
<b>Web ID</b>	7740121	7740123	7740126

## Motor Mount for Screw

	1.25 mm	
<b>L</b>	22 mm	28 mm
<b>REF</b>	MDS-SV-S	MDS-SV-L
<b>Web ID</b>	7740151	7740153

## Ratchet Driver for Screw

	1.25 mm	
<b>L</b>	12 mm	17 mm
<b>REF</b>	RDS-SV-S	RDS-SV-L
<b>Web ID</b>	7740173	7740176

## Ratchet Driver for Screw - Self Loading

	1.25 mm	
<b>L</b>	12 mm	18 mm
<b>REF</b>	TDS-SV-S	TDS-SV-L
<b>Web ID</b>	7740191	7740193

• for HDR Hand Driver or Square Ratchet Driver

# Ratchet / Ratchet Adapter / Parallel Pin



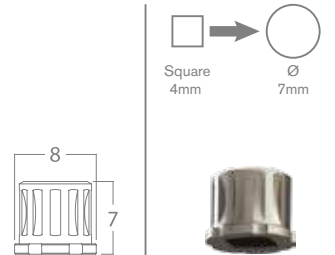
## Torque Ratchet



● Torque Ratchet 0-70 Ncm  
Black Marking, Ø - 7mm

<b>REF</b>	RT-70ST
<b>Web ID</b>	7750411

## Ratchet Adapter



<b>REF</b>	TS-ADP-7
<b>Web ID</b>	7750185

## Hand Driver suitable for Square Ratchet Driver

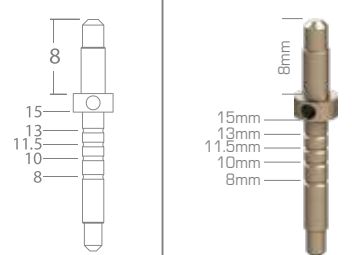


■ Square 4mm

Ratchet driver not Incd.

<b>REF</b>	HDR
<b>Web ID</b>	7750251

## Parallel Pin Guide



<b>REF</b>	PPN
<b>Web ID</b>	7750141

 **Ritter Implants GmbH & Co. KG**

Freiburger Str. 45, 88400 Biberach, Germany  
Tel: +49.7351.5292510

---

**Headquarters:** Edison Medical  
4310 West Avenue, San Antonio, TX 78213, USA  
Tel: +1.210.9793389 | [edisonmed.com](http://edisonmed.com)

